



Machines

ASC 100 Powerful, Reliable Single Drum Roller 10,5 t

The new Ammann single drum roller ASC 100 offers best price-productivity ratio. Based on the proven concept of the ASC line, the ASC 100 is a highly reliable and effective soil compactor. The machine is simple to operate and service. „Reduced to the Max“ the ASC 100 is an state of the art machine with maximum utilization value.

Invincible power and output.

Outstanding traction and travel performance are guaranteed by the all wheels and drum hydrostatic drive. The ASC 100 is suitable for compaction of a wide range of soil, from silt to crushed stones. Compaction results are on the top end of its class. The ASC 100 is equipped with an efficient turbocharged Cummins engine and reliable Rexroth hydraulics.

Technical specification

ASC 100

Dimensions		
Overall width	mm	2250
Drum diameter	mm	1500
Compaction width	mm	2130
Weights		
Operating weight (CECE)	kg	10120
Drum load CECE	kg	5300
Axle load CECE	kg	4820
Static linear load (drum)	kg/cm	24,9
Steering		
Steering angle (+ / -)	°	36
Oscillation angle (+ / -)	°	10
Turning radius inner (edge)	mm	3100
Turning radius outer (contour)	mm	5370
Riding characteristics		
No. of travel speeds		2
Maximum speed	km/h	10
Gradeability with vibration	%	45
Gradeability without vibration	%	45
Brakes		
Operating		Hydrostatic
Parking		Multi disc
Emergency		Multi disc
Vibration		
Amplitudes	mm	1,85 / 1,15
Frequencies	Hz	32 / 35
Centrifugal forces	kN	277 / 206
Capacities		
Fuel	l	410
Electrical installation		
Voltage	V	24
Capacity of batteries	Ah	2 x 66
Engine		
Make		Cummins
Type		4 BTA.3,9- C116
Rated power	kW	87
Standard		97/98/ECE Stage1 EPA/CARB Tier 1

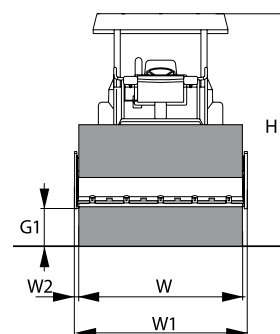
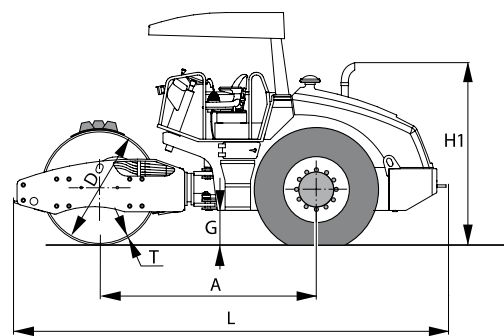
Specifications are subject to change due to technical improvements.

Standard version

- Operator platform with rails
- Lockable vandal guard

Optional items

- Cab ventilated heated
- Engine air pre-cleaner
- ROPS protection structure
- Sun canopy
- Padfoot segments
- Toolbox
- Set of tools
- Special painting



Dimensions in mm	A	D	G	G1	H	H1	L	T	W	W1	W2
ASC 100	2820	1500	450	405	3027	2375	5 630	25	2130	2 250	55

Ammann Czech Republic a.s.
Náchodská 145
CZ-549 01 Nové Město nad Metují
Phone +420 491 476 111
Fax +420 491 470 215

www.ammann-group.com

Partner