

# Dynapac CA2500D (3.3)

Single drum vibratory rollers

Atlas Copco



## Technical data



### Masses

|                             |                |
|-----------------------------|----------------|
| Operating mass (incl. ROPS) | 10,000 kg      |
| Operating mass (incl. Cab)  | 10,200 kg      |
| Module mass (front/rear)    | 5,600/4,600 kg |
| Max. operating mass         | 10,400 kg      |



### Dimensions

|            |          |
|------------|----------|
| Drum width | 2,130 mm |
|------------|----------|



### Traction

|                      |             |
|----------------------|-------------|
| Speed range          | 0 -8 km/h   |
| Vertical oscillation | ±9°         |
| Tyre size (12 ply)   | 550/60-22.5 |
| Theor. gradeability  | 51 %        |



### Compaction

|  |            |
|--|------------|
| Static linear load                       | 26 kg/cm   |
| Nominal amplitude (high/low)             | 1.8/0.9 mm |
| Vibration frequency (high/low amplitude) | 30/30 Hz   |
| Centrifugal force (high/low amplitude)   | 205/100 kN |



### Engine

|                        |                                     |
|------------------------|-------------------------------------|
| Manufacturer/Model     | Cummins QSB3.3 (III A/3 & III B/4i) |
| Type                   | Water cooled turbo Diesel           |
| Rated power, SAE J1995 | 82 kW (110 hp) @ 2,200 rpm          |
| Fuel tank capacity     | 190 l                               |



### Hydraulic system

|                                |   |
|--------------------------------|---|
| Driving                        | Hydrostatic   |
| Vibration                      | Hydrostatic   |
| Steering                       | Hydrostatic   |
| Service brake                  | Hydrostatic in forward and reverse lever.                   |
| Parking/<br>Emergency<br>brake | Failsafe multidisc brake in drum gear box and in rear axle. |

Find us locally at [www.atlascopco.com](http://www.atlascopco.com)

We reserve the right to change specifications without notice. Photos and illustrations do not always show standard versions of machines. The above information is a general description only, all informations are supplied without liability.

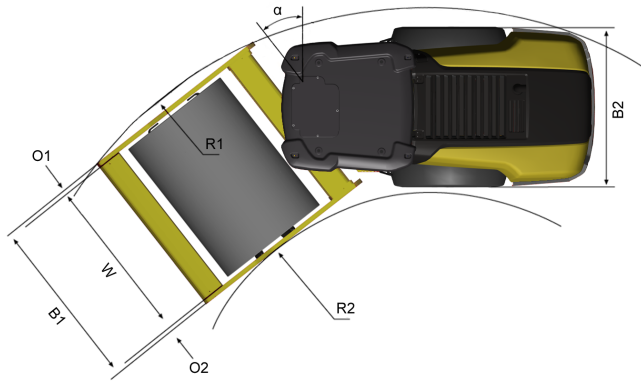
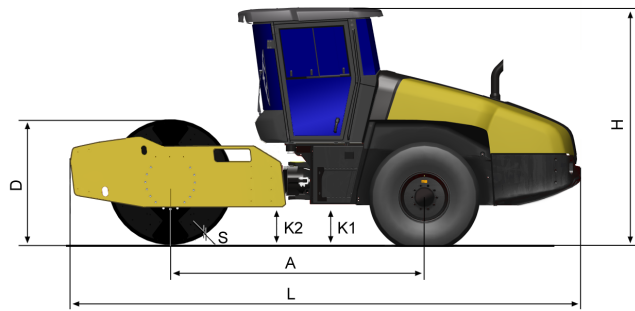
rce\_ca2500d\_33\_en-20141113.162745.pdf 2014-11-13 16:27

# Dynapac CA2500D (3.3)

Single drum vibratory rollers

Atlas Copco

## Technical data



| Dimensions                  |          |
|-----------------------------|----------|
| A. Wheelbase                | 2,840 mm |
| B1. Width, front            | 2,300 mm |
| B2. Width, rear             | 1,710 mm |
| D. Drum diameter            | 1,500 mm |
| H. Height, with ROPS/cab    | 2,810 mm |
| K1. Ground clearance        | 320 mm   |
| K2. Curb clearance          | 430 mm   |
| L. Length                   | 5,560 mm |
| O1. Overhang, right         | 85 mm    |
| O2. Overhang, left          | 85 mm    |
| R1. Turning radius, outside | 5,400 mm |
| R2. Turning radius, inside  | 3,100 mm |
| S. Drum shell thickness     | 25 mm    |
| W. Drum width               | 2,130 mm |
| α. Steering angle           | ±38°     |

Find us locally at [www.atlascopco.com](http://www.atlascopco.com)

We reserve the right to change specifications without notice. Photos and illustrations do not always show standard versions of machines. The above information is a general description only, all informations are supplied without liability.

rce\_ca2500d\_33\_en-20141113.162745.pdf 2014-11-13 16:27