


Dynapac CA2500D (4.5)

Single drum vibratory rollers


Atlas Copco




Technical data


 Masses	
Operating mass (incl. ROPS)	10,100 kg
Operating mass (incl. Cab)	10,300 kg
Module mass (front/rear)	5,600/4,700 kg
Max. operating mass	11,900 kg


 Dimensions	
Drum width	2,130 mm


 Traction	
Speed range (Dual/TC/AS)	4/6/9/12 km/h
Vertical oscillation	±9°
Tyre size (8 ply)	23,1 x 26 AW
Theor. gradeability	51 %

 Compaction	
Static linear load	26 kg/cm
Nominal amplitude (high/low)	1.8/0.9 mm
Vibration frequency (high/low amplitude)	33/34 Hz
Centrifugal force (high/low amplitude)	250/130 kN

 Engine	
Fuel tank capacity	272 l

 Engine	
Manufacturer/Model	Cummins QSB4.5 (IIIB/4i)
Rated power, ISO 14396	97 kW (132 hp) @ 2,200 rpm
Type	Water cooled turbo diesel

 Engine	
Manufacturer/Model	Cummins QSB4.5 (IIIA/3)
Rated power, ISO 14396	82 kW (110 hp) @ 2,200 rpm
Type	Water cooled turbo diesel

 Hydraulic system	
Driving	Hydrostatic
Vibration	Hydrostatic
Steering	Hydrostatic
Service brake	Hydrostatic in forward and reverse lever.
Parking/ Emergency brake	Failsafe multidisc brake in drum gear box and in rear axle.

Find us locally at www.atlascopco.com

We reserve the right to change specifications without notice. Photos and illustrations do not always show standard versions of machines. The above information is a general description only, all informations are supplied without liability.

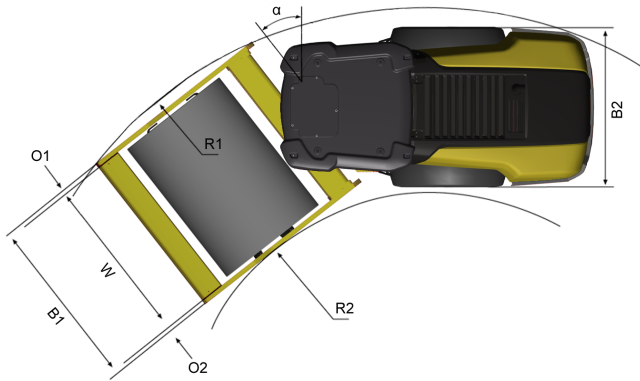
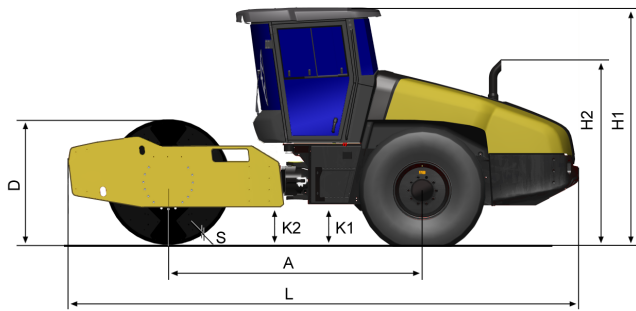
rce_ca2500d_45_en-20131129.140904.pdf 2013-11-29 14:09

Dynapac CA2500D (4.5)

Single drum vibratory rollers

Atlas Copco

Technical data



Dimensions	
A. Wheelbase	2,990 mm
B1. Width, front	2,300 mm
B2. Width, rear	2,130 mm
D. Drum diameter	1,500 mm
H1. Height, with ROPS/cab	2,870 mm
H2. Height, w/o ROPS/cab	2,130 mm
K1. Ground clearance	450 mm
K2. Curb clearance	450 mm
L. Length	5,990 mm
O1. Overhang, right	85 mm
O2. Overhang, left	85 mm
R1. Turning radius, outside	5,600 mm
R2. Turning radius, inside	3,300 mm
S. Drum shell thickness	25 mm
W. Drum width	2,130 mm
α . Steering angle	$\pm 38^\circ$

Find us locally at www.atlascopco.com

We reserve the right to change specifications without notice. Photos and illustrations do not always show standard versions of machines. The above information is a general description only, all informations are supplied without liability.

rce_ca2500d_45_en-20131129.140904.pdf 2013-11-29 14:09