

Dynapac CA3500PD

Single drum vibratory rollers

Atlas Copco



Technical data



Masses

Operating mass (incl. ROPS)	11,900 kg
Operating mass (incl. Cab)	12,100 kg
Module mass (front/rear)	7,700/4,400 kg
Max. operating mass	12,400 kg



Dimensions

Drum width	2,130 mm
------------	----------



Traction

Speed range (Dual/TC/AS)	5/6/7/12 km/h
Tyre size (8 ply)	23,1 x 26 TR
Theor. gradeability	57 %
Vertical oscillation	±9°
Number of pads	130
Pad area	146 cm ²
Pad height	102 mm



Compaction

Nominal amplitude (high/low)	1.8/1.0 mm
Vibration frequency (high/low amplitude)	30/30 Hz
Centrifugal force (high/low amplitude)	260/150 kN



Engine

Manufacturer/Model	Cummins QSB 4.5 (IIIA/3)
Rated power, SAE J1995	97 kW (132 hp) @ 2,200 rpm
Fuel tank capacity	272 l



Engine

Manufacturer/Model	Cummins QSB 4.5 (IIIB/4i)
Rated power, SAE J1995	119 kW (162 hp) @ 2,200 rpm



Hydraulic system

Driving	Hydrostatic
Vibration	Hydrostatic
Steering	Hydrostatic
Service brake	Hydrostatic in forward and reverse lever.
Parking/ Emergency brake	Failsafe multidisc brake in drum gear box and in rear axle.

Find us locally at www.atlascopco.com

We reserve the right to change specifications without notice. Photos and illustrations do not always show standard versions of machines. The above information is a general description only, all informations are supplied without liability.

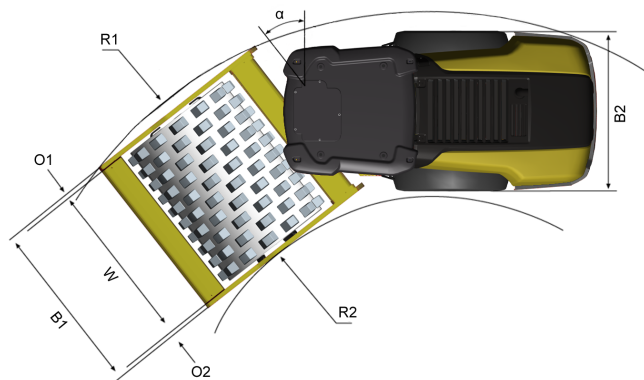
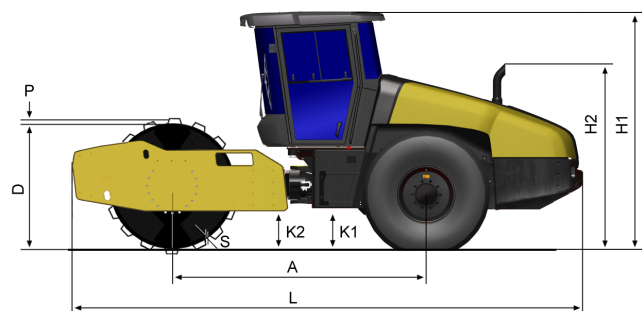
rce_ca3500pd_en-20141021.104333.pdf 2014-10-21 10:43

Dynapac CA3500PD

Single drum vibratory rollers

Atlas Copco

Technical data



Dimensions	
A. Wheelbase	2,990 mm
B1. Width, front	2,300 mm
B2. Width, rear	2,130 mm
D. Drum diameter	1,500 mm
H1. Height, with ROPS/cab	2,970 mm
H2. Height, w/o ROPS/cab	2,130 mm
K1. Ground clearance	450 mm
K2. Curb clearance	450 mm
L. Length	5,990 mm
O1. Overhang, right	85 mm
O2. Overhang, left	85 mm
P. Pad height	102 mm
R1. Turning radius, outside	5,600 mm
R2. Turning radius, inside	3,300 mm
S. Drum shell thickness	25 mm
W. Drum width	2,130 mm
α . Steering angle	$\pm 38^\circ$

Find us locally at www.atlascopco.com

We reserve the right to change specifications without notice. Photos and illustrations do not always show standard versions of machines. The above information is a general description only, all informations are supplied without liability.