


Dynapac CA4600PD


Single drum vibratory rollers





Technical data


 Masses	
Operating mass (incl. ROPS)	13,500 kg
Operating mass (incl. Cab)	13,700 kg
Module mass (front/rear)	8,800/4,900 kg
Max. operating mass	14,400 kg

 Dimensions	
Drum width	2,130 mm

 Traction	
Speed range (Dual/TC/AS)	4/6/7/12 km/h
Vertical oscillation	±9°
Theor. gradeability	57 %
Tyre size (12 ply)	23,1 x 26 TR

 Compaction	
Nominal amplitude (high/low)	2.0/1.0 mm
Vibration frequency (high/low amplitude)	30/30 Hz
Centrifugal force (high/low amplitude)	280/150 kN

 Engine	
Manufacturer/Model	Deutz TCD6,1L06 (IIIB/4i)
Type	Water cooled turbo diesel
Rated power, ISO 14396	129 kW (173 hp) @ 2,200 rpm
Fuel tank capacity	272 l

 Hydraulic system	
Driving	Hydrostatic
Vibration	Hydrostatic
Steering	Hydrostatic
Service brake	Hydrostatic in forward and reverse lever.
Parking/ Emergency brake	Failsafe multidisc brake in drum gear box and in rear axle.

Find us locally at www.atlascopco.com

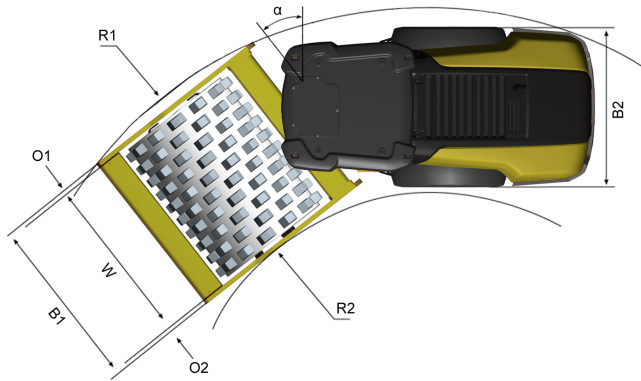
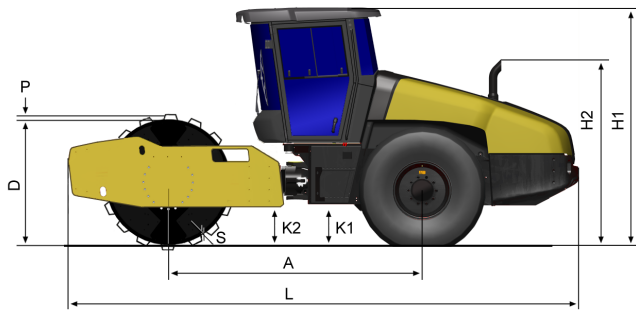
We reserve the right to change specifications without notice. Photos and illustrations do not always show standard versions of machines. The above information is a general description only, all informations are supplied without liability.

Dynapac CA4600PD

Single drum vibratory rollers

Atlas Copco

Technical data



Dimensions	
A. Wheelbase	3,100 mm
B1. Width, front	2,340 mm
B2. Width, rear	2,130 mm
D. Drum diameter	1,500 mm
H1. Height, with ROPS/cab	2,970 mm
H2. Height, w/o ROPS/cab	2,220 mm
K1. Ground clearance	450 mm
K2. Curb clearance	450 mm
L. Length	5,990 mm
O1. Overhang, right	105 mm
O2. Overhang, left	105 mm
R1. Turning radius, outside	5,600 mm
R2. Turning radius, inside	3,300 mm
S. Drum shell thickness	25 mm
W. Drum width	2,130 mm
α . Steering angle	$\pm 38^\circ$

Find us locally at www.atlascopco.com

We reserve the right to change specifications without notice. Photos and illustrations do not always show standard versions of machines. The above information is a general description only, all informations are supplied without liability.

rce_ca4600pd_en-20140213.133736.pdf 2014-02-13 13:37