

# Dynapac CA5500D

## Single drum vibratory rollers

Atlas Copco



### Technical data



#### Masses

Operating mass (incl. Cab)	18,350 kg
Module mass (front/rear)	11,850/6,500 kg
Max. operating mass	18,600 kg



#### Dimensions

Drum width	2,130 mm
------------	----------



#### Traction

Speed range (Dual/TC/AS)	4/6/7/11
Vertical oscillation	±9°
Theor. gradeability	56 %
Tyre size (12 ply)	23,1 x 26



#### Compaction

Static linear load	56 kg/cm
Nominal amplitude (high/low)	2.1/0.8 mm
Vibration frequency (high/low amplitude)	29/30 Hz
Centrifugal force (high/low amplitude)	360/150 kN



#### Engine

Fuel tank capacity	272 l
--------------------	-------



#### Engine

Manufacturer/Model	Deutz TCD6,1L06 (IIIB/4i)
Rated power, ISO 14396	129 kW (175 hp ) @ 2,200 rpm
Type	Water cooled turbo diesel



#### Engine

Manufacturer/Model	Deutz TCD2012L06 (IIIA/3)
Rated power, ISO 14396	128 kW (174 hp ) @ 2,200 rpm
Type	Water cooled turbo diesel



#### Hydraulic system

Driving	Hydrostatic
Vibration	Hydrostatic
Steering	Hydrostatic
Service brake	Hydrostatic in forward and reverse lever.
Parking/ Emergency brake	Failsafe multidisc brake in drum gear box and in rear axle.

Find us locally at [www.atlascopco.com](http://www.atlascopco.com)

We reserve the right to change specifications without notice. Photos and illustrations do not always show standard versions of machines. The above information is a general description only, all informations are supplied without liability.

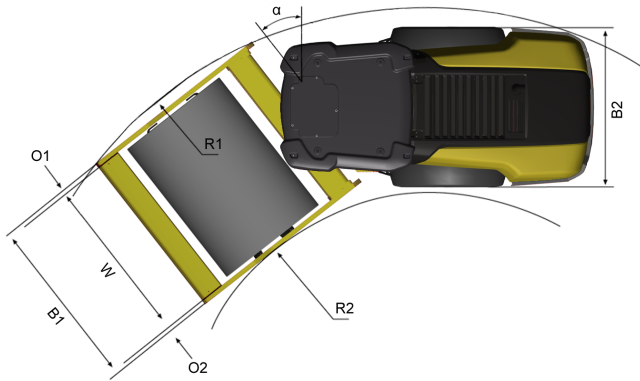
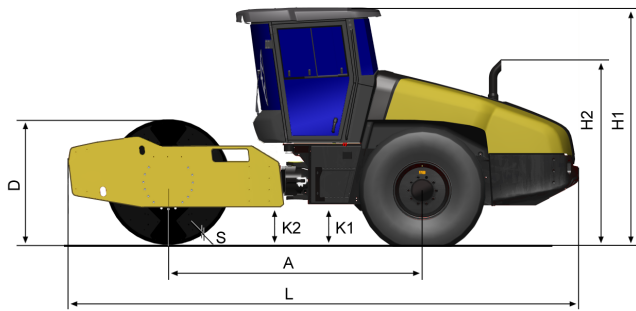
rce\_ca5500d\_en-20131115.070511.pdf 2013-11-15 07:05

# Dynapac CA5500D

## Single drum vibratory rollers

Atlas Copco

### Technical data



Dimensions	
A. Wheelbase	3,100 mm
B1. Width, front	2,340 mm
B2. Width, rear	2,130 mm
D. Drum diameter	1,546 mm
H1. Height, with ROPS/cab	2,890 mm
H2. Height, w/o ROPS/cab	2,130 mm
K1. Ground clearance	450 mm
K2. Curb clearance	450 mm
L. Length	6,240 mm
O1. Overhang, right	105 mm
O2. Overhang, left	105 mm
R1. Turning radius, outside	5,800 mm
R2. Turning radius, inside	3,300 mm
S. Drum shell thickness	48 mm
W. Drum width	2,130 mm
$\alpha$ . Steering angle	$\pm 38^\circ$

Find us locally at [www.atlascopco.com](http://www.atlascopco.com)

We reserve the right to change specifications without notice. Photos and illustrations do not always show standard versions of machines. The above information is a general description only, all informations are supplied without liability.

rce\_ca5500d\_en-20131115.070511.pdf 2013-11-15 07:05