

Dynapac CA5500PD

Single drum vibratory rollers

Atlas Copco



Technical data

Masses	
Operating mass (incl. Cab)	18,150 kg
Module mass (front/rear)	11,650/6,500 kg
Max. operating mass	18,500 kg

Dimensions	
Drum width	2,130 mm

Traction	
Vertical oscillation	±9°
Theor. gradeability	56 %
Number of pads	130
Pad area	146 cm ²
Pad height	102 mm
Tyre size (12 ply)	23,1 x 26

Compaction	
Nominal amplitude (high/low)	2.1/0.8 mm
Vibration frequency (high/low amplitude)	29/30 Hz
Centrifugal force (high/low amplitude)	360/150 kN

Engine	
Fuel tank capacity	272 l

Engine	
Manufacturer/Model	Deutz TCD6,1L06 (IIIB/4i)
Rated power, ISO 14396	129 kW (175 hp) @ 2,200 rpm
Type	Water cooled turbo diesel

Engine	
Manufacturer/Model	Deutz TCD2012L06 (IIIA/3)
Rated power, ISO 14396	128 kW (174 hp) @ 2,200 rpm
Type	Water cooled turbo diesel

Hydraulic system	
Driving	Hydrostatic
Vibration	Hydrostatic
Steering	Hydrostatic
Service brake	Hydrostatic in forward and reverse lever.
Parking/ Emergency brake	Failsafe multidisc brake in drum gear box and in rear axle.

Find us locally at www.atlascopco.com

We reserve the right to change specifications without notice. Photos and illustrations do not always show standard versions of machines. The above information is a general description only, all informations are supplied without liability.

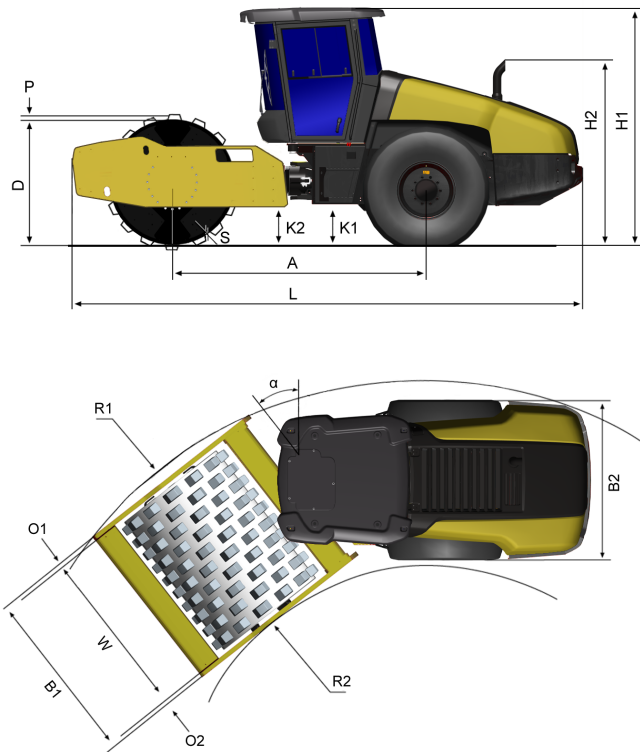
rce_ca5500pd_en-20131115.072822.pdf 2013-11-15 07:28

Dynapac CA5500PD

Single drum vibratory rollers

Atlas Copco

Technical data



Dimensions	
A. Wheelbase	3,100 mm
B1. Width, front	2,340 mm
B2. Width, rear	2,130 mm
D. Drum diameter	1,536 mm
H1. Height, with ROPS/cab	2,890 mm
H2. Height, w/o ROPS/cab	2,130 mm
K1. Ground clearance	450 mm
K2. Curb clearance	450 mm
L. Length	6,240 mm
O1. Overhang, right	105 mm
O2. Overhang, left	105 mm
P. Pad height	102 mm
R1. Turning radius, outside	5,800 mm
R2. Turning radius, inside	3,300 mm
S. Drum shell thickness	34 mm
W. Drum width	2,130 mm
α . Steering angle	$\pm 38^\circ$

Find us locally at www.atlascopco.com

We reserve the right to change specifications without notice. Photos and illustrations do not always show standard versions of machines. The above information is a general description only, all informations are supplied without liability.

rce_ca5500pd_en-20131115.072822.pdf 2013-11-15 07:28