

# GALLMAC

**Macchine Multifunzionali  
Multipurpose Machines  
Machines Multifonctions**

**2011**

*Catalogo - Catalogue*





Caricamento, Scavo, Sollevamento e Applicazioni Speciali  
Loading, Excavation, Lifting and Special Applications  
Chargement, Excavation, Levage et Applications Spéciales





# GALLMAC



		<b>GALLMAC RMW 115<sup>(1)</sup>/190<sup>(2)</sup></b>	<b>GALLMAC WMW 100 LT</b>	<b>GALLMAC WMW 115</b>	<b>GALLMAC WMW 150</b>
<b>Motore diesel</b> Diesel engine Moteur diesel		<b>Perkins 1104D-44T</b>	<b>Perkins 1104D-44T</b>	<b>Perkins 1104D-44T</b>	<b>John Deere 4045HF285</b>
<b>Potenza</b> Power Puissance	<b>HP kW</b>	<b>100-74,5</b>	<b>100-74,5</b>	<b>100-74,5</b>	<b>125-93,2</b>
<b>Giri motore</b> Engine rotation Tours moteur	<b>rpm</b>	<b>2200</b>	<b>2200</b>	<b>2200</b>	<b>2200</b>
<b>Portata max</b> Max flow Debit max	<b>L/min</b>	<b>156 / 240</b>	<b>156</b>	<b>156</b>	<b>198</b>
<b>Pressione</b> Pressure Pression	<b>bar</b>	<b>270 / 280</b>	<b>260</b>	<b>270</b>	<b>280</b>
<b>Ruote standard</b> Standard wheels Pneus standard		<b>365/85-20</b>	<b>16.70-20</b>	<b>16.70-20</b>	<b>18-22.5</b>
<b>Ruote optional</b> Optional wheels Pneus en option		<b>---</b>	<b>18-19.5</b>	<b>18-19.5</b>	<b>---</b>
<b>Velocità massima</b> Max speed Vitesse max	<b>km/h</b>	<b>20 on road 30 on rail</b>	<b>28</b>	<b>30</b>	<b>28</b>
<b>Forza di trazione</b> Traction force Effort de traction	<b>daN</b>	<b>4100 / 7500</b>	<b>5700</b>	<b>7700</b>	<b>8600</b>
<b>Peso senza benna *</b> Weight without bucket Poids sans godet	<b>kg</b>	<b>13500 / 19000</b>	<b>9600</b>	<b>11000</b>	<b>14600</b>
<b>Altezza max</b> Max height Hauteur max	<b>mm</b>	<b>3900</b>	<b>3000</b>	<b>3035</b>	<b>3180</b>
<b>Larghezza max</b> Max width Largeur max	<b>mm</b>	<b>2300</b>	<b>2300</b>	<b>2340</b>	<b>2450</b>
<b>Lunghezza max</b> Max length Longeur max	<b>mm</b>	<b>5300</b>	<b>4980</b>	<b>4980</b>	<b>4740</b>

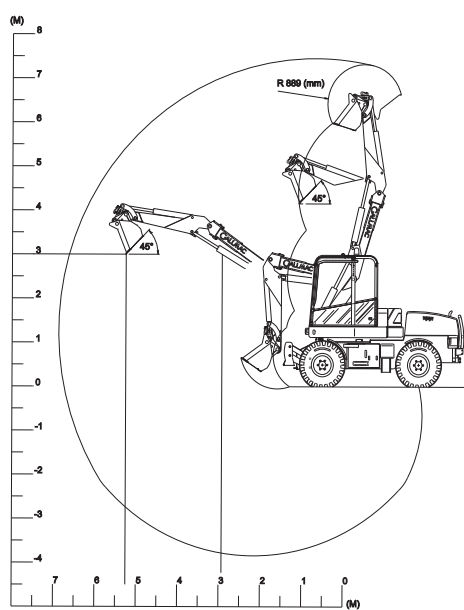
\* In funzione dell'attrezzatura montata e della configurazione / According to attachment and machine configuration / Selon l'équipement utilisé et la configuration

(1) Trazione gomma su rotaia (assale ferroviario folle) / Tyre-rail transmission / Traction pneus sur rail (essieu ferroviaire neutre)

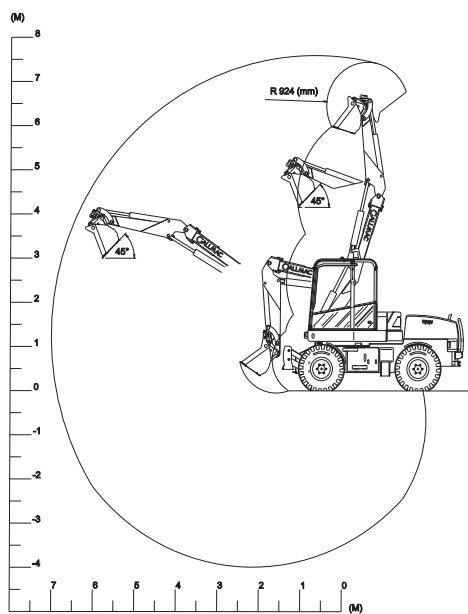
(2) Assale ferroviario motorizzato / Independent hydrostatic railway transmission / Essieu ferroviaire motorisé



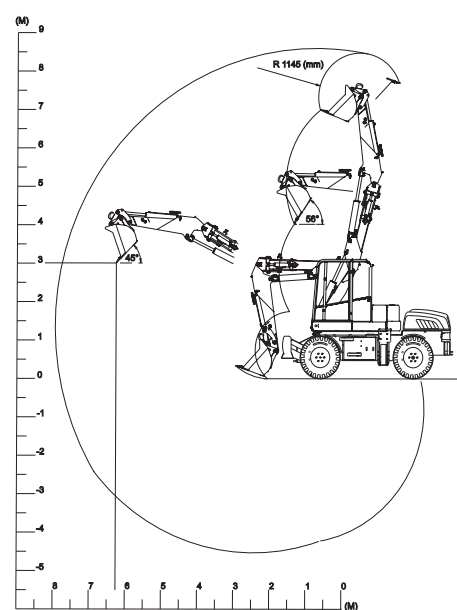
Caricamento, Scavo, Sollevamento e Applicazioni Speciali  
 Loading, Excavation, Lifting and Special Applications  
 Chargement, Excavation, Levage et Applications Spéciales



WMW 100



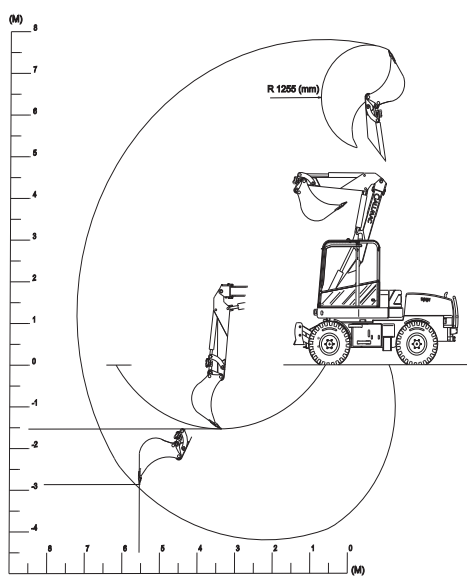
WMW 115



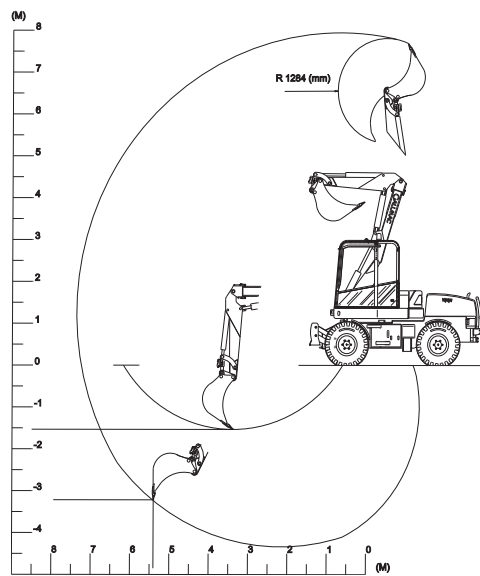
WMW 150



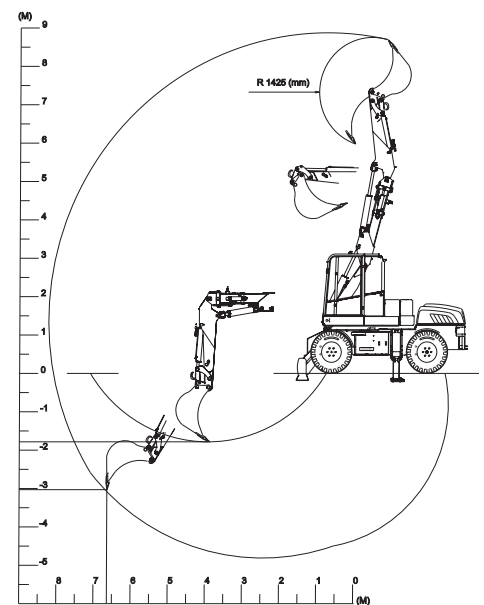
# GALLMAC



WMW 100



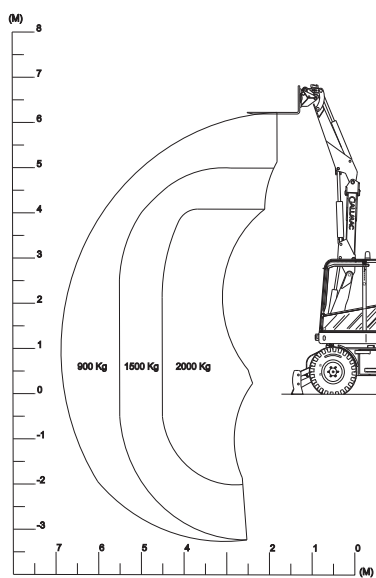
WMW 115



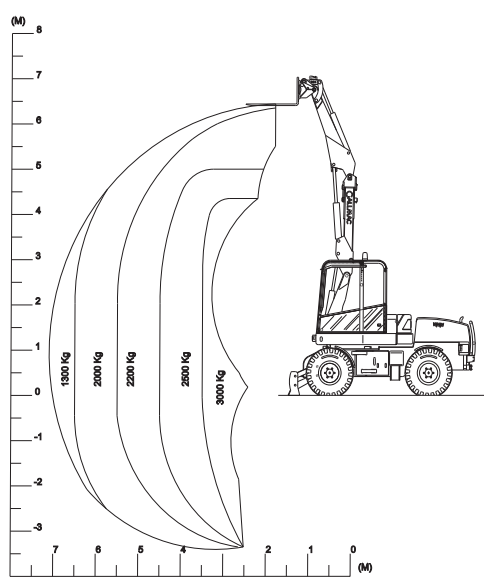
WMW 150



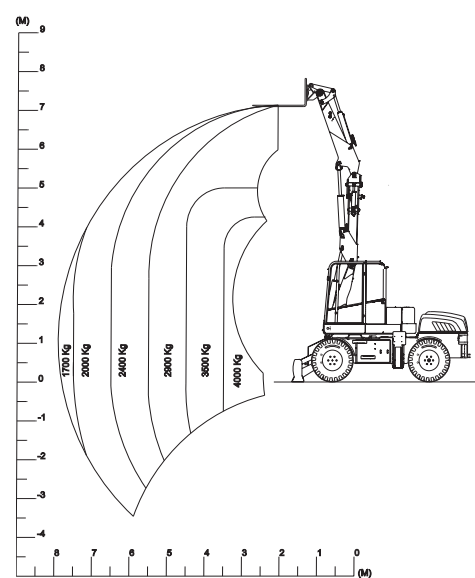
Caricamento, Scavo, Sollevamento e Applicazioni Speciali  
 Loading, Excavation, Lifting and Special Applications  
 Chargement, Excavation, Levage et Applications Spéciales



**WMW 100**

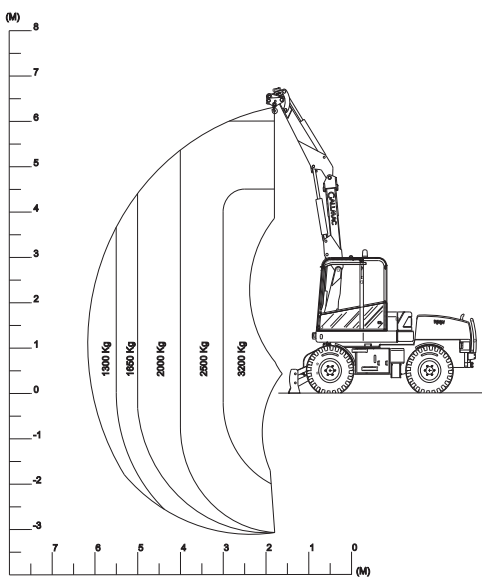


**WMW 115**

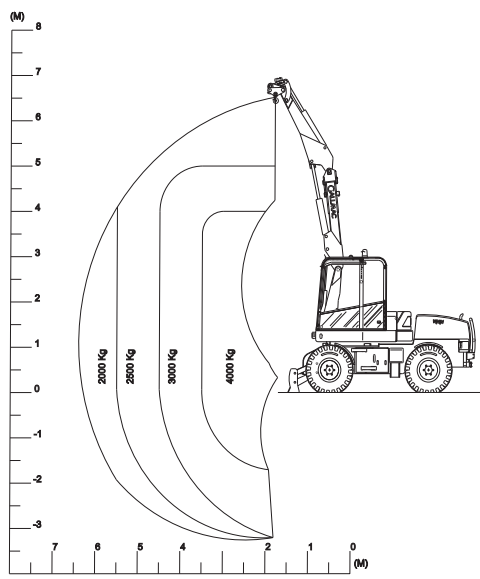


**WMW 150**

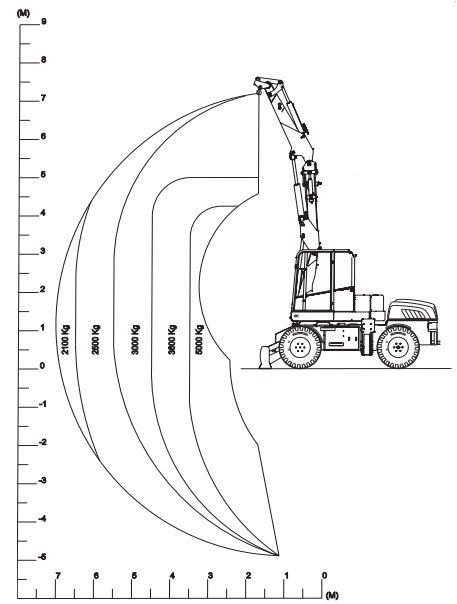




WMW 100



WMW 115



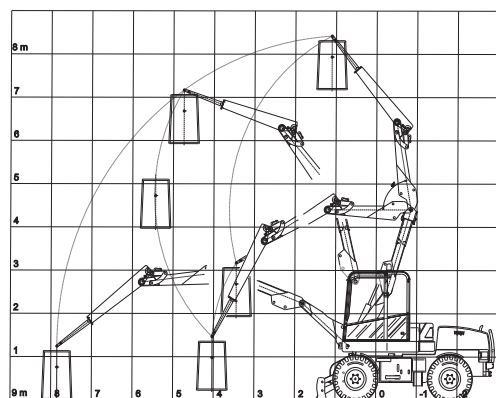
WMW 150



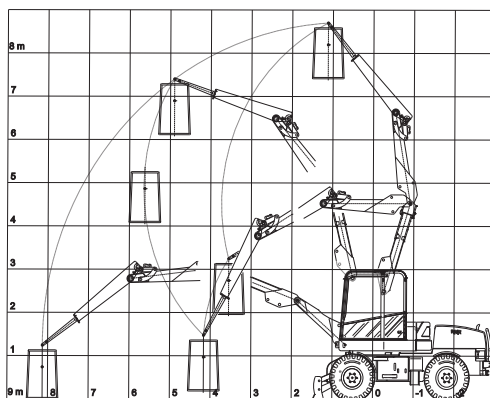
Caricamento, Scavo, Sollevamento e Applicazioni Speciali  
Loading, Excavation, Lifting and Special Applications  
Chargement, Excavation, Levage et Applications Spéciales



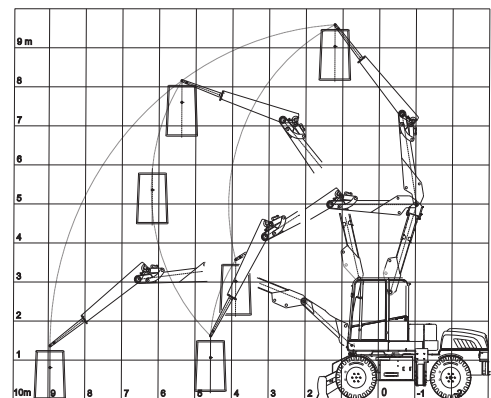
Conforme alla norma EN 280: 2001 + A2: 2009 / In accordance with EN 280: 2001 + A2: 2009 / Conformément à la norme EN 280: 2001 + A2: 2009



WMW 100



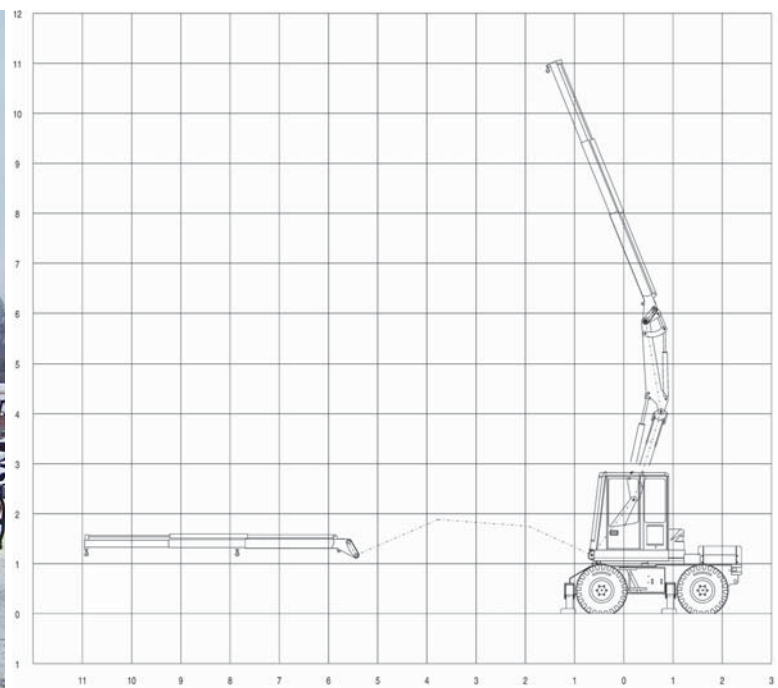
WMW 115



WMW 150



# GALLMAC



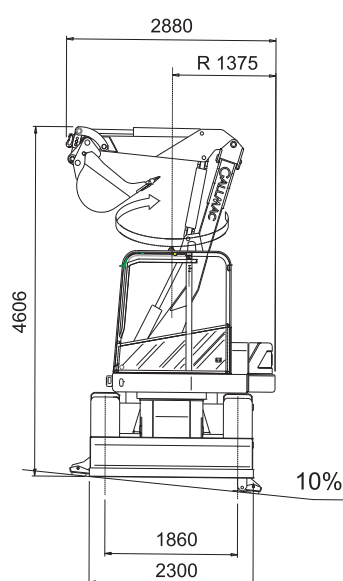
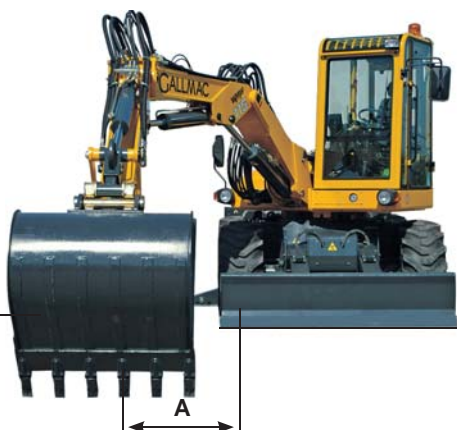
Macchina Machine Machine	Lung. min (mm) Min length (mm) Min longueur (mm)	Portata (kg)* Weight (kg)* Capacité de levage (kg)*	Lung. max (mm) Max length (mm) Max longueur (mm)	Portata (kg)* Weight (kg)* Capacité de levage (kg)*	Altezza max (mm) Max height (mm) Max hauteur (mm)
WMW 100 LT	8000	800	11000	400	11100
WMW 115	8300	900	11300	450	11400
WMW 150	8800	1000	11800	500	11900

\* Portata max / Max load capacity / Capacité de charge max 200 kg

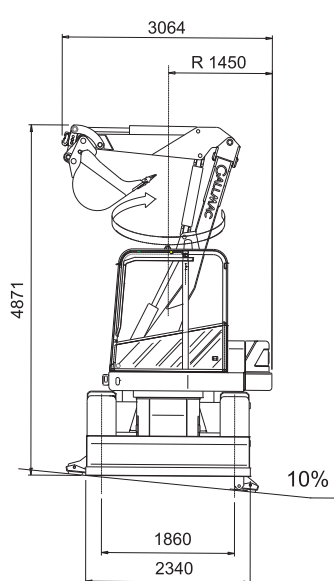


Caricamento, Scavo, Sollevamento e Applicazioni Speciali  
 Loading, Excavation, Lifting and Special Applications  
 Chargement, Excavation, Levage et Applications Spéciales

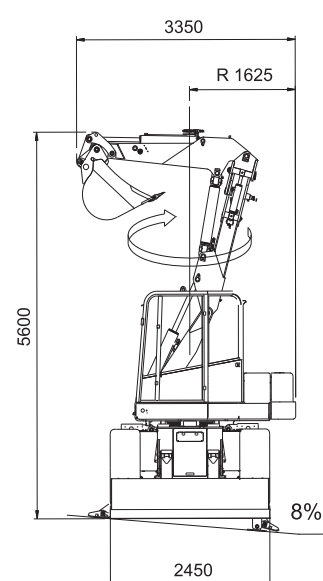
Modello / Model / Modèle	A (mm)
WMW 100 LT	1130
WMW 115	1170
WMW 150	1288



WMW 100



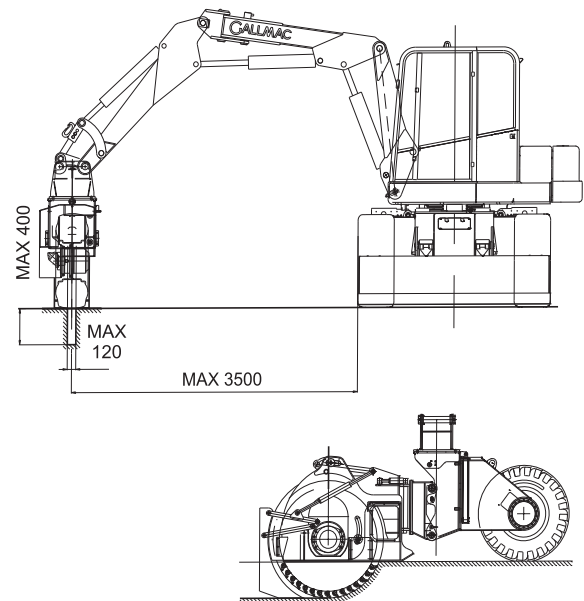
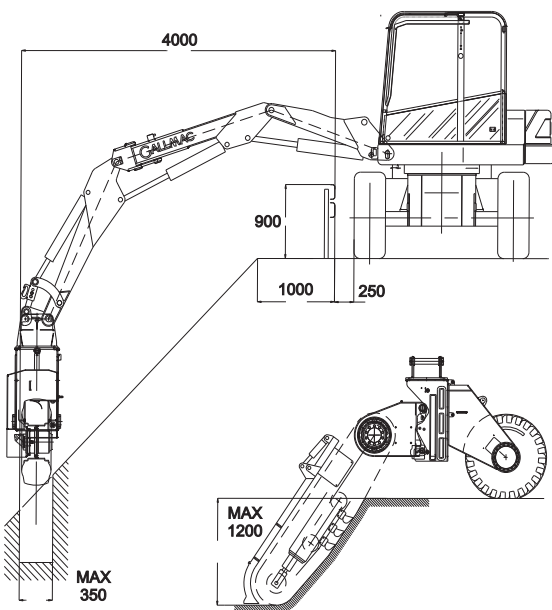
WMW 115



WMW 150



# GALLMAC



Larghezza di scavo / Digging width / Largeur de creusement  
**20-35 cm**  
 Profondità di scavo / Digging depth / Profondeur de creusement  
**60-120 cm**

Larghezza di scavo / Digging width / Largeur de creusement  
**7-12 cm**  
 Profondità di scavo / Digging depth / Profondeur de creusement  
**40 cm**





[www.tesmec.com](http://www.tesmec.com)



Guarda il video della macchina in azione sul tuo Smartphone  
Watch the video of the machine in action on your Smartphone  
Regardez la vidéo de la machine en action sur votre Smartphone

**Tesmec S.p.A.**

Headquarters

Via Zanica, 17/O - 24050 Grassobbio (BG) - Italy  
Tel: +39.035.4232911 - Fax: +39.035.4522444

Manufacturing facilities

Via Pertegalli, 2 - 24060 Endine Gaiano (BG) - Italy  
Tel: +39.035.825024 - Fax: +39.035.826375

Manufacturing facilities

Via Provinciale, 26/28 - 23844 Sirono (LC) - Italy  
Tel: +39.031.858311 - Fax: +39.031.853562