

Dynapac CA1500PD

Single drum vibratory rollers

Atlas Copco



Technical data



Masses

Operating mass (incl. Cab)	7,200 kg
Module mass (front/rear)	3,600/3,600 kg
Max. operating mass	8,500 kg



Traction

Speed range	0-12 km/h
Tyre size (8 ply)	14.9 x 24 TL
Theor. gradeability	55 %
Vertical oscillation	±9°



Compaction

Static linear load	20 kg/cm
Nominal amplitude (high/low)	1.8/0.8 mm
Vibration frequency (high/low amplitude)	32/36 Hz
Centrifugal force (high/low amplitude)	133/72 kN



Engine

Manufacturer/Model	Cummins QSB3.3 (IIIA/3 or IIIB/4i)
Type	Water cooled turbo Diesel
Rated power, SAE J1995	74 kW (100 hp) @ 2,200 rpm
Fuel tank capacity	190 l



Engine

Manufacturer/Model	Deutz TD3.6 L04 (IIIB/4)
Rated power, ISO 14396	55 kW (75 hp) @ 2,200 rpm
Type	Water cooled turbo Diesel



Hydraulic system

Driving	Hydrostatic
Vibration	Hydrostatic
Steering	Hydrostatic
Service brake	Hydrostatic in forward and reverse lever.
Parking/ Emergency brake	Failsafe multidisc brake in drum gear box and in rear axle.

Find us locally at www.atlascopco.com

We reserve the right to change specifications without notice. Photos and illustrations do not always show standard versions of machines. The above information is a general description only, all informations are supplied without liability.

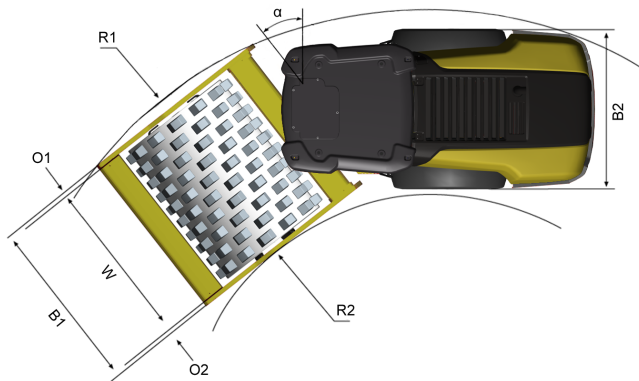
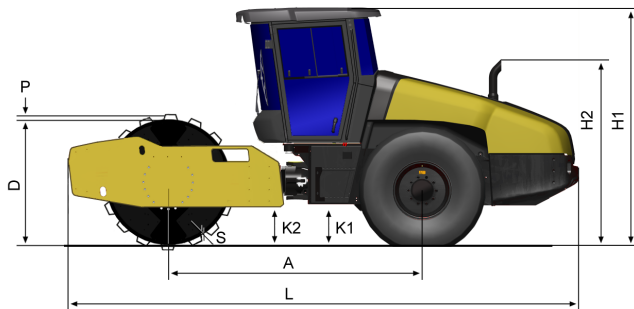
rce_ca1500pd_en-20141121.125427.pdf 2014-11-21 12:54

Dynapac CA1500PD

Single drum vibratory rollers

Atlas Copco

Technical data



Dimensions	
A. Wheelbase	2,690 mm
B1. Width, front	1,866 mm
B2. Width, rear	1,700 mm
D. Drum diameter	1,219 mm
H. Height, with ROPS/cab	2,730 mm
K1. Ground clearance	330 mm
K2. Curb clearance	360 mm
L. Length	5,280 mm
O1. Overhang, right	95 mm
O2. Overhang, left	95 mm
S. Drum shell thickness	22 mm
W. Drum width	1,676 mm
α. Steering angle	±38°



Service and repair kits

Type of kit	P/N	Serial Number/Additional info
Service kit	4812159859	Cummins T4i Start up kit inc oil
50h service kit	4812159462	Cummins T3 oil inc
500h service kit	4812159463	Cummins T3 oil inc
1000h service kit	4812159465	Cummins T3 oil inc
2000h service kit	4812159468	Cummins T3 oil inc
500h service kit	4812159464	Cummins T3 No oil inc
1000h service kit	4812159466	Cummins T3 No oil inc
Service kit	4812159467	Cummins T3 Start up kit inc oil
50h service kit	4812159352	Deutz TD 3,6L04 oil inc
500h service kit	4812160166	Deutz TD 3,6L04 oil inc
1000h service kit	4812160168	Deutz TD 3,6L04 oil inc
500h service kit	4812160165	Deutz TD 3,6L04 3B No inc oil
1000h service kit	4812160167	Deutz TD 3,6L04 3B No inc oil
Service kit	4812160169	Deutz TD 3,6L04 3B Start up kit inc oil
Eccentric shaft kit	4812159976	
Drum rotation kit	4812157275	
Shock absorber kit	4812159975	
Driving lights kit	4812121268	Driving lights FK, right hand assymetric
Driving lights kit	4812121269	Driving lights FK, left hand assymetric
Levelling blade kit	4812141829	Levelling blade kit

Find us locally at www.atlascopco.com

We reserve the right to change specifications without notice. Photos and illustrations do not always show standard versions of machines. The above information is a general description only, all informations are supplied without liability.