

Dynapac CA2500PD (4.5)

Single drum vibratory rollers

Atlas Copco



Technical data

Masses	
Operating mass (incl. ROPS)	11,000 kg
Operating mass (incl. Cab)	11,200 kg
Module mass (front/rear)	6,500/4,700 kg
Max. operating mass	11,400 kg

Dimensions	
Drum width	2,130 mm

Traction	
Speed range (Dual/TC/AS)	5/6/7/12 km/h
Vertical oscillation	±9°
Tyre size (8 ply)	23,1 x 26 TR
Theor. gradeability	57 %
Number of pads	130
Pad area	146 cm ²
Pad height	102 mm

Compaction	
Nominal amplitude (high/low)	2.0/1.1 mm
Vibration frequency (high/low amplitude)	30/30 Hz
Centrifugal force (high/low amplitude)	260/150 kN

Engine	
Manufacturer/Model	Cummins QSB 4.5 (IIIA/3)
Type	Water cooled turbo Diesel
Rated power, SAE J1995	82 kW (110 hp) @ 2,200 rpm
Fuel tank capacity	272 l

Engine	
Manufacturer/Model	Cummins QSB 4.5 (IIIB/4i)
Type	Water cooled turbo Diesel
Rated power, SAE J1995	97 kW (132 hp) @ 2,200 rpm

Hydraulic system	
Driving	Hydrostatic
Vibration	Hydrostatic
Steering	Hydrostatic
Service brake	Hydrostatic in forward and reverse lever.
Parking/ Emergency brake	Failsafe multidisc brake in drum gear box and in rear axle.

Find us locally at www.atlascopco.com

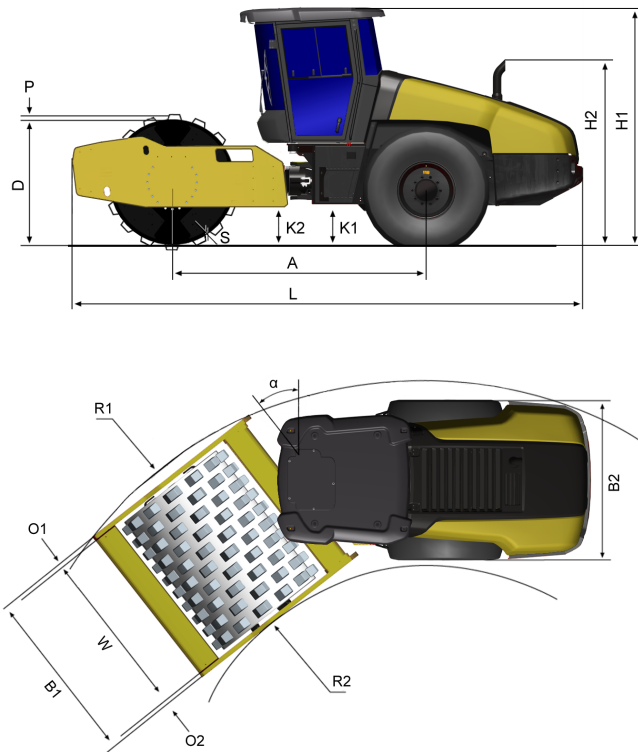
We reserve the right to change specifications without notice. Photos and illustrations do not always show standard versions of machines. The above information is a general description only, all informations are supplied without liability.

Dynapac CA2500PD (4.5)

Single drum vibratory rollers

Atlas Copco

Technical data



Dimensions	
A. Wheelbase	2,990 mm
B1. Width, front	2,300 mm
B2. Width, rear	2,130 mm
D. Drum diameter	1,490 mm
H. Height, with ROPS/cab	2,970 mm
H1. Height, with ROPS/cab	2,970 mm
H2. Height, w/o ROPS/cab	2,220 mm
K1. Ground clearance	450 mm
K2. Curb clearance	450 mm
L. Length	5,990 mm
O1. Overhang, right	85 mm
O2. Overhang, left	85 mm
P. Pad height	102 mm
R1. Turning radius, outside	5,600 mm
R2. Turning radius, inside	3,300 mm
S. Drum shell thickness	20 mm
W. Drum width	2,130 mm
α . Steering angle	$\pm 38^\circ$

Find us locally at www.atlascopco.com

We reserve the right to change specifications without notice. Photos and illustrations do not always show standard versions of machines. The above information is a general description only, all informations are supplied without liability.