



Dynapac CA250D


Single drum vibratory rollers





Technical data

 Masses	
Max. operating mass	12,100 kg
Operating mass (incl. ROPS)	11,200 kg
Operating mass (incl. Cab)	11,350 kg
Module mass (front/rear)	6,300/4,900 kg

 Traction	
Speed range	0 - 10 km/h
Tyre size (8 ply)	23,1x26
Theor. gradeability	57 %
Vertical oscillation	±9°

 Compaction	
Static linear load	30.0 kg/cm
Nominal amplitude (high/low)	1.7/0.8 mm
Vibration frequency (high/low amplitude)	33/33 Hz
Centrifugal force (high/low amplitude)	248/121 kN

 Engine	
Manufacturer/Model	Cummins 4BT 3.9-C
Type	Water cooled turbo Diesel
Rated power, SAE J1995	76 kW (102 hp) @ 2,200 rpm

 Hydraulic system	
Driving	Axial piston pump with variable displacement. Axial piston motor with constant displacement.
Vibration	Axial piston pump with variable displacement. Axial piston motor with constant displacement.
Steering	Gear pump with constant displacement.
Parking/ Emergency brake	Failsafe multidisc brake in rear axle.
Service brake	Hydrostatic in forward and reverse lever.

Find us locally at www.atlascopco.com

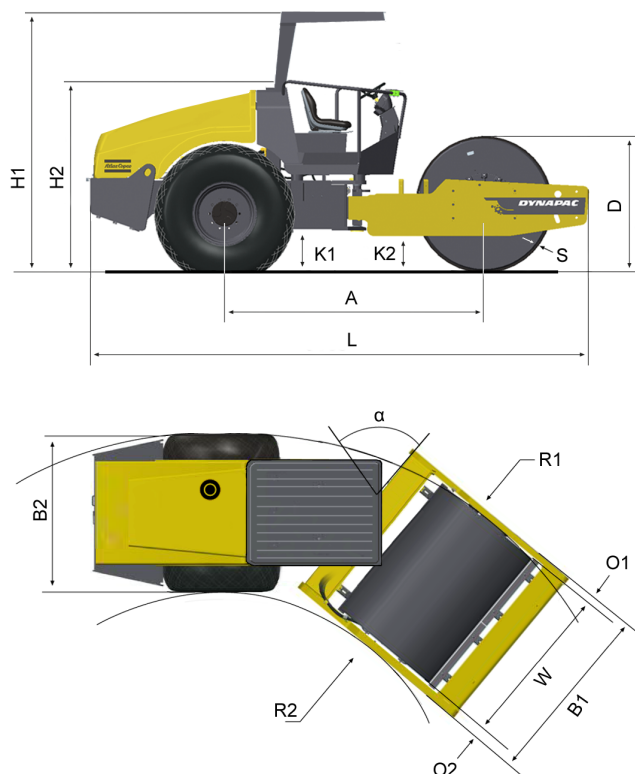
We reserve the right to change specifications without notice. Photos and illustrations do not always show standard versions of machines. The above information is a general description only, all informations are supplied without liability.

Dynapac CA250D

Single drum vibratory rollers

Atlas Copco

Technical data



Dimensions	
A. Wheelbase	2,879 mm
B1. Width, front	2,324 mm
B2. Width, rear	2,130 mm
D. Drum diameter	1,523 mm
H1. Height, with ROPS	2,952 mm
H2. Height, w/o ROPS/cab	2,190 mm
K1. Ground clearance	453 mm
K2. Curb clearance	400 mm
L. Length	5,550 mm
O1. Overhang, right	97 mm
O2. Overhang, left	97 mm
R1. Turning radius, outside	5,400 mm
R2. Turning radius, inside	3,100 mm
S. Drum shell thickness	25 mm
W. Drum width	2,130 mm
α. Steering angle	±38°

Find us locally at www.atlascopco.com

We reserve the right to change specifications without notice. Photos and illustrations do not always show standard versions of machines. The above information is a general description only, all informations are supplied without liability.

rce_ca250d_en-20140611.125433.pdf 2014-06-11 12:54