

Dynapac CA3600D

Single drum vibratory rollers

Atlas Copco



Technical data



Masses

Operating mass (incl. ROPS)	12,300 kg
Operating mass (incl. Cab)	12,500 kg
Module mass (front/rear)	7,600/4,900 kg
Max. operating mass	14,000 kg



Dimensions

Drum width	2,130 mm
------------	----------



Traction

Speed range (Dual/TC/AS)	4/6/7/12 km/h
Vertical oscillation	±9°
Tyre size (8 ply)	23,1 x 26 AW
Theor. gradeability	55 %



Compaction

Static linear load	36 kg/cm
Nominal amplitude (high/low)	1.9/0.9 mm
Vibration frequency (high/low amplitude)	31/34 Hz
Centrifugal force (high/low amplitude)	280/170 kN



Engine

Manufacturer/Model	Deutz TCD6,1L06 (IIIB/4i)
Type	Water cooled turbo diesel
Rated power, ISO 14396	129 kW (173 hp) @ 2,200 rpm
Fuel tank capacity	272 l



Hydraulic system

Driving	Hydrostatic
Vibration	Hydrostatic
Steering	Hydrostatic
Service brake	Hydrostatic in forward and reverse lever.
Parking/ Emergency brake	Failsafe multidisc brake in drum gear box and in rear axle.

Find us locally at www.atlascopco.com

We reserve the right to change specifications without notice. Photos and illustrations do not always show standard versions of machines. The above information is a general description only, all informations are supplied without liability.

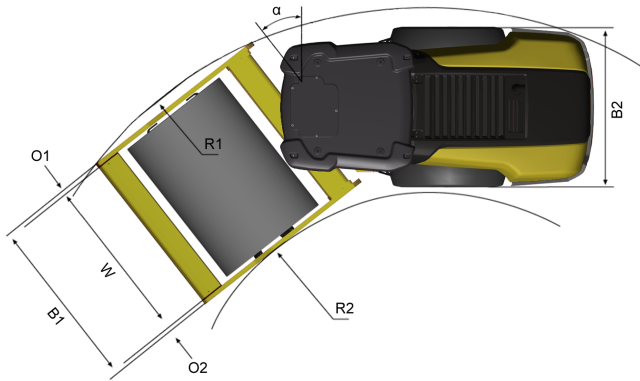
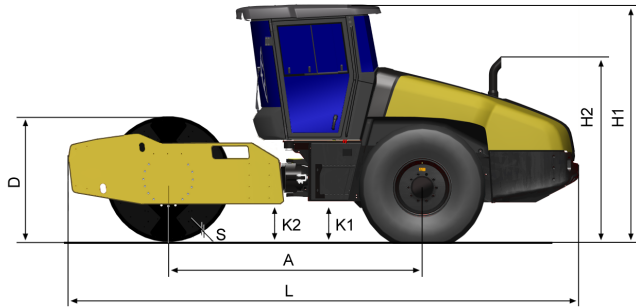
rce_ca3600d_en-20130917.102324.pdf 2013-09-17 10:23

Dynapac CA3600D

Single drum vibratory rollers

Atlas Copco

Technical data



Dimensions

A. Wheelbase	3,100 mm
B1. Width, front	2,340 mm
B2. Width, rear	2,130 mm
D. Drum diameter	1,520 mm
H1. Height, with ROPS/cab	2,880 mm
H2. Height, w/o ROPS/cab	2,130 mm
K1. Ground clearance	450 mm
K2. Curb clearance	450 mm
L. Length	5,990 mm
O1. Overhang, right	105 mm
O2. Overhang, left	105 mm
R1. Turning radius, outside	5,600 mm
R2. Turning radius, inside	3,300 mm
S. Drum shell thickness	35 mm
W. Drum width	2,130 mm
α. Steering angle	±38°



Standard equipment

- 24V outlet socket, operator's platform
- Automatic vibration control
- Back up alarm
- Brake release
- Cross Mounted Engine
- Combi cooler with Hydraulically driven fan
- Display: Engine temp, Fuel level, Hydr. temp, Speedometer, Tachometer, Voltage
- Dual speed drum and axle motors
- Emergency stop
- Filler cap inside lockable hood
- Hydraulic checkpoints
- Parking brake
- Shock mounted platform
- Steering wheel, adjustable
- Suspension seat
- Storage Compartment
- Traction Control Package w/tilt indicator and speed limiter
- Vandal cover
- Warning lights: Air cleaner, Brake, Clogged hyd. fluid filter, Engine oil pressure/temp, Hyd oil temp, Low charge, Low fuel
- 1m X 1m Visibility
- Zero spill oil & coolant change

Find us locally at www.atlascopco.com

We reserve the right to change specifications without notice. Photos and illustrations do not always show standard versions of machines. The above information is a general description only, all informations are supplied without liability.

rce_ca3600d_en-20130917.102324.pdf 2013-09-17 10:23