



Ⓔ

# HD SERIES



# HD Series

2

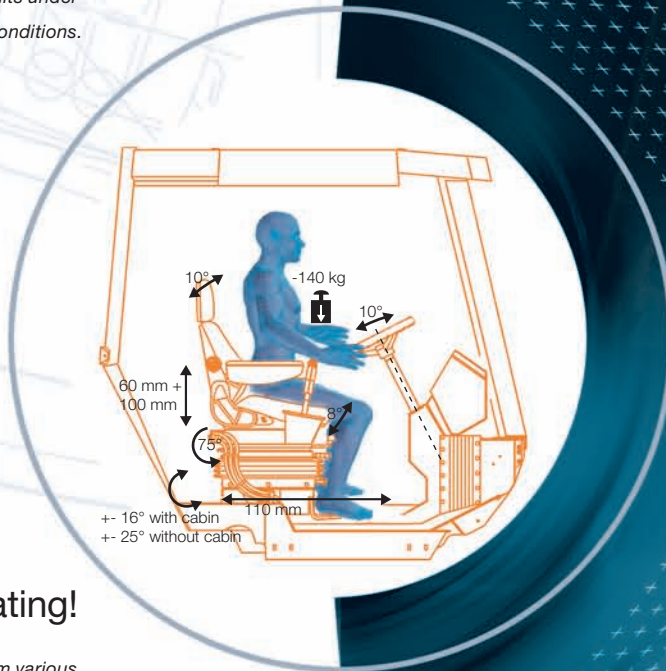
## The HD concept

*The concept of the HD rollers is based on extensive market analysis.*

*Intelligent solutions were developed in direct communication with the users which allows more effective and economical work.*

*Its user-friendly operation and excellent visibility are worldwide proven features.*

*The efficient tandem roller also shows best results under extreme conditions.*



## Comfortable seating!

*The driver can choose from various positions the one which is the most comfortable. This allows for well good ergonomics at his work station.*



## Quite effective

*Awarded with the PRODUCT DESIGN AWARD for high technical and ergonomic innovation, the HD series impresses not only with its productivity but also with its aesthetics.*



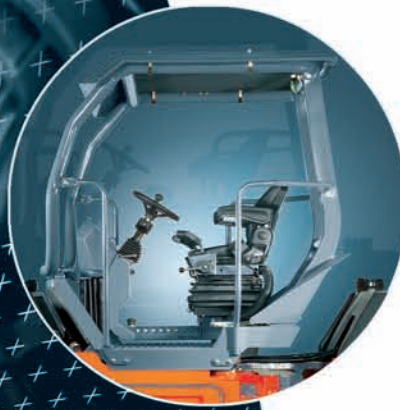
## Perfect distance vision

*The drums and the water sprinkling system are always in your sight.*

*The noise level is efficiently reduced by sloping windows.*

*Four working lights mounted to the cabin and four lights mounted to the frame illuminate the working field during night and under very difficult visibility conditions. The standard lighting according to German Road Regulations is shock-proof integrated in the cross tie-bar in front of the drums.*

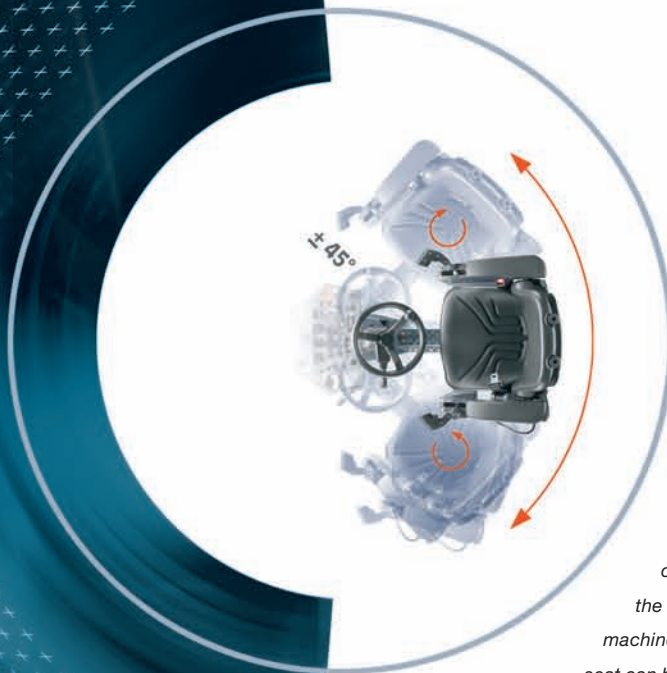
*The machine can be supplied with certified roll over protection instead of a cabin.*



## Open to all sides

*The operator is sitting on a swivelling, swinging and turning seat and controls with two integrated levers speed, driving direction and vibration.*

*The seat console with display and steering wheel can be turned through 45° (without cabin  $\pm 90^\circ$ ) to both sides to the outermost lateral part of the machine chassis. Furthermore the seat can be swivelled around. This allows relaxed forward and backward driving. The comfortable seat can be adjusted infinitely according to weight and position as well as diagonally to the driving direction.*



## All-round visibility

*The generous panoramic cabin enables an entire panoramic view and makes work easier for the driver. The blind spot to the front and to the back is less than 1m x 1m.*

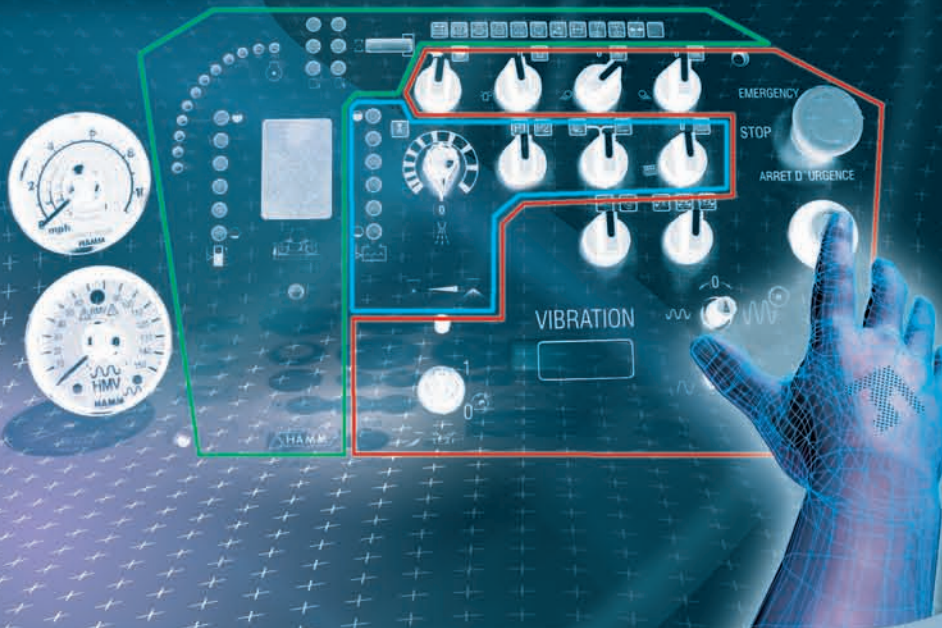
*The optional heating and air conditioning offer highest comfort.*



# Operation

The detailed display is clearly, logically and compactly arranged. The functions are divided into visually marked groups. With international symbols and pictograms the user is guided through the functions. After just a short while the machine and user are “as one”.

[under] control panel \_



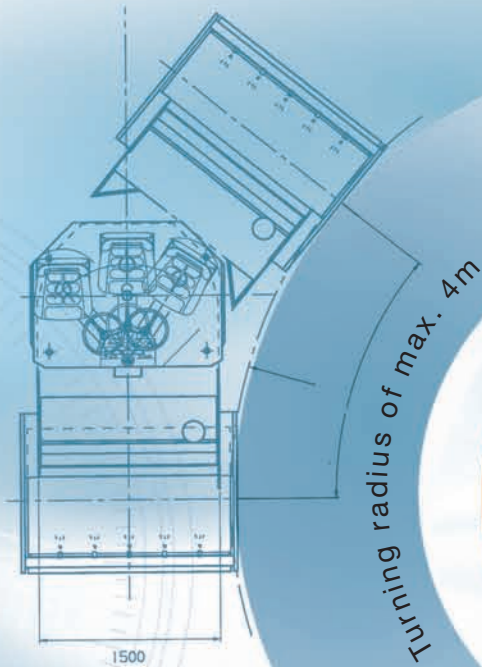
1 Control

2 Operation

3 Water sprinkling system

# On the right track

## Crab steering



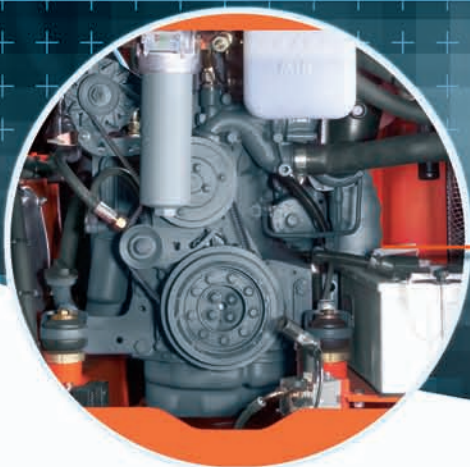
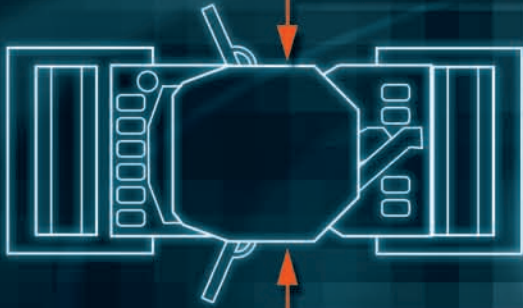
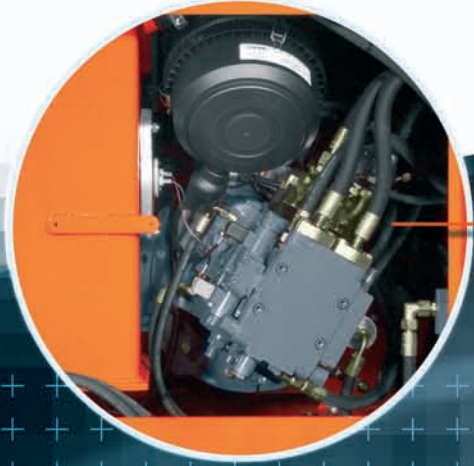
Turning radius of max. 4m



The hydrostatic steering allows a maximal steering angle from 32° to 39° (depending on the model). This is equivalent to an extremely small inner turning radius of approx. 4 m (depending on the model). The drums can be offset by up to 100 mm either side by simply pulling on the steering column mounted lever and turning the steering wheel. This steering function is quick and easy to use and adaptable to different site conditions.

The cooling air flows a long way through the HAMM machine.

High cooling capacity  
Extended component life



For service purposes the cabin can be tilted which allows easy access. The cooler can be folded out and is therefore easily accessible for cleaning. This saves time and money.

The headlights of the HD illuminate the working area of the operator in order to guarantee best visibility – even under difficult light conditions. Thus really nothing can be overlooked.



# Keep cool



*imagination*  
the power of imagination



## Optimum service access

The two big maintenance doors - one at each side of the machine - allow easy access to all components and service points. Service hours will be reduced to a minimum.



## Precise water distribution

The operator has the water sprinkling system always in his sight. The water tank is designed to cover one day's need. In order to prevent algae, the water tanks are made out of opaque PE. The control is operated by foot pedal i.e. the hands stay at the steering wheel. The operator can react within seconds.

Always within  
your sight:  
The water  
sprinkling system

Fine nozzles optimize the economical sprinkling of the drums. The pressure is created by 2 pumps and therefore working safety is guaranteed. The spray bars can be easily dismantled, thus freezing can be avoided during cold weather. Even in strong winds the spray remains constant as the jets are shielded by the frame parts.





## Strong actuation for highest tractive force

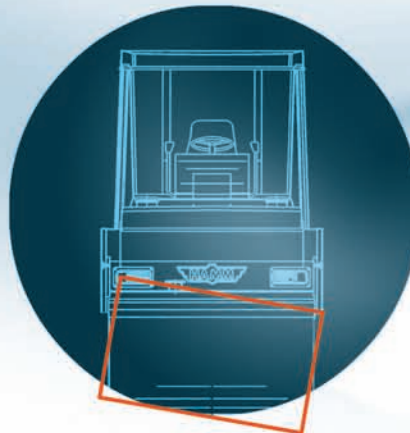
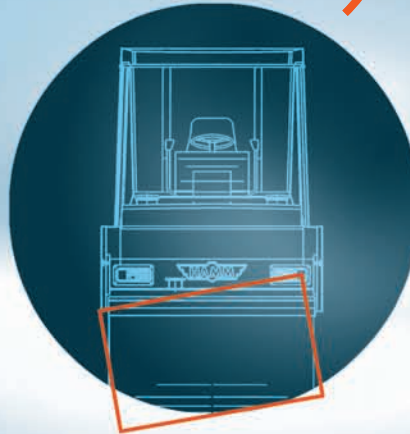
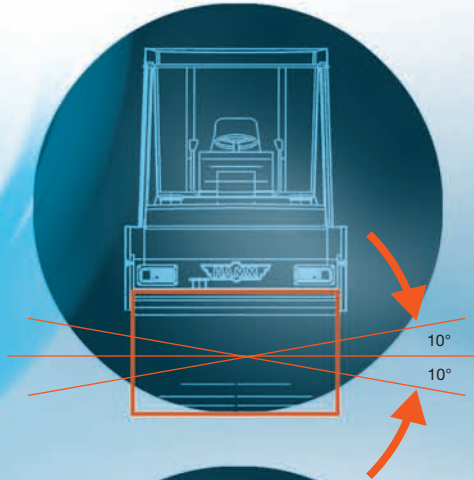
## Agile

The articulated joint allows the HAMM machine to make its way easily even on difficult ground.

## Gradability



The enormous gradability (up to 40%) of the HD series offers flexibility even in steep areas. Uneven areas and rises are no problem at all for the HD tandem roller



The key point of the HD series is the intelligent arrangement of the frame and the service-free articulated steering. The pivot is central between the drums.

The stress on the frame and bearings is very low due to the distance between the articulation points.



## In detail!

### Great side liberty

Due to the raised side parts a clean curb clearance of 700 mm is achieved.

### Environmentally-friendly, economical engine

The HD series is equipped with an environmentally-friendly, economical diesel engine.



*Unsurpassed panoramic view*

*Ergonomic working area*

*Comfort meets safety*

*Swivelling driver's seat*

*Pivot steering with crab steering*

*Drum surfaces visible to the driver to the front and rear*

*clean curb clearance of 700 mm*

*big plastic water tanks integrated in the frame*

*Tilting driver's stand*

*All-wheel drive*

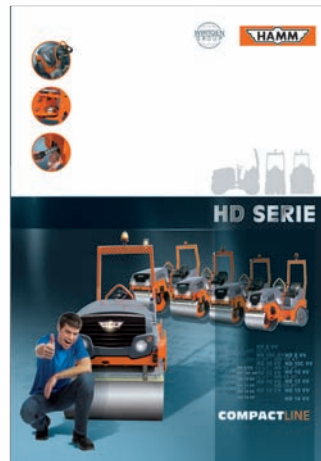
*Crab steering of 100 mm left / right each*

*Comfortable panoramic cabin*

*Machine height below 3 m respect. 3,20*

*Edge pressing and cutting equipment visible from the cabin,*

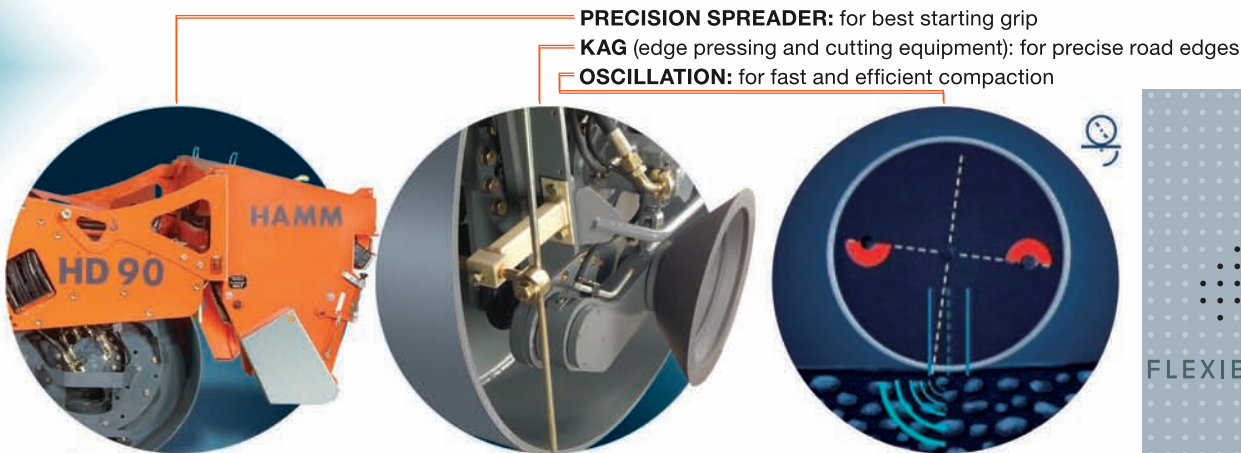
*etc.*



For further information please visit  
[www.hamm.eu](http://www.hamm.eu)  
or give us a call. We would be  
glad to inform you.

Informationen about our new roller of  
the HD-Series you will find in our bro-  
chure: **HD compactline**

Technical changes and equipment subject to change



FLEXIBLE

BEST VIEWS

COMPACT

### OSCILLATION

An interesting and powerful alternative to vibration is the oscillation technique. It can be used for sensitive areas as well as general compaction work.

### ECOMATIC

The optional Ecomatic equipment controls the pre-selected vibration frequency in order to keep it constant.

It controls the hydraulics and the engine accordingly. The pre-selected frequency is constantly digitally displayed. Ecomatic is available in most models.

### HCQ-GPS-Navigator

With this continuous compaction control system, compaction can be measured online over the entire job site and the position is exactly determined by GPS. All data of the area are displayed and precisely documented.



**HAMM AG**

Hammstraße 1  
D-95643 Tirschenreuth  
Tel +49 9631/ 80-0  
Fax +49 9631/ 80-111  
[www.hamm.eu](http://www.hamm.eu)