

# MecALAC

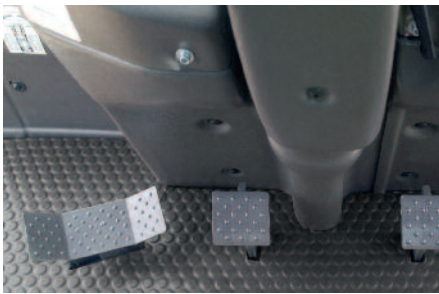
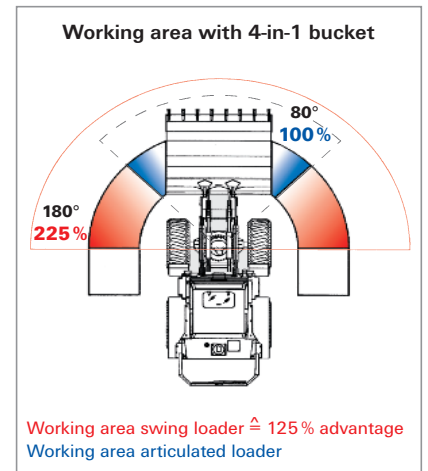
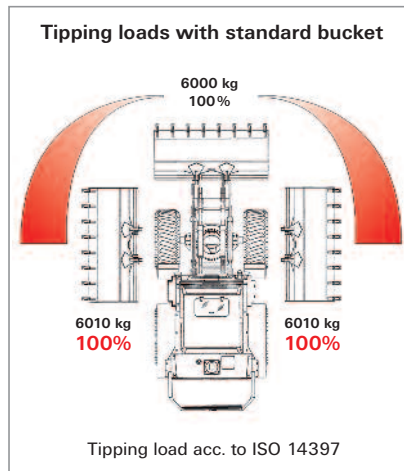
SWING LOADER **AS 150e**



> Experience of your worksite



- **100 kW / 136 hp at 2300 rpm**
- **Dump height 3.10 m**
- **Maximum swing range of 180° (2 x 90°) with all attachments**



Left foot operated swing pedal avoids tiredness

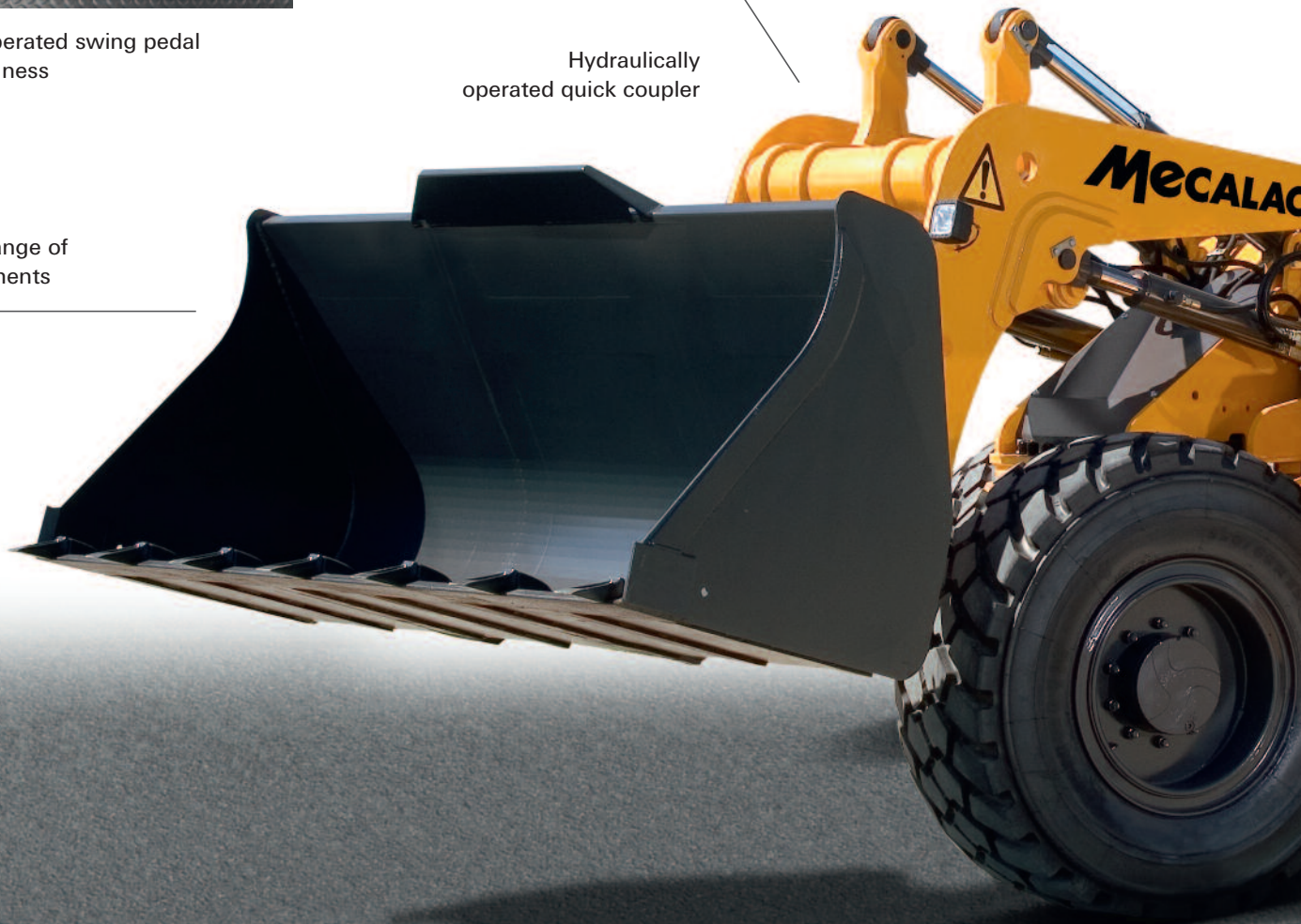
Self-engaging, automatic differential lock in front axle (locking factor 45%)

Hydraulically operated quick coupler

Low-maintenance, play-free chain operated swing system with constant turning speed and power

Powerful Double-Z-Kinematics with precise parallel lifting and final position cushioning of the lift cylinders

Wide range of attachments





# AT YOUR ADVANTAGES



Safe and easy access on both sides



Spacious and comfortable cab with excellent all-round visibility



Easy handling; nearly all operating functions are integrated in one joystick



High performance Deutz turbo diesel engine

Hydrostatic four-wheel steering

Payload dependent axle support

Low-maintenance wet lamella brakes

Rigid single-component chassis for maximum stability



SWING LOADER  
**AS 150e**

# MANOEUVRABLE AND COMPACT



**Mecalac swing loaders** are compact, flexible, comfortable, secure and extremely efficient. We have always been at the forefront of innovative design and lead the market in swing shovel technology:

- Short, fast operating cycles for time-saving
- Excellent manoeuvrability particularly in confined areas
- Working in one track and shorter travel distance for minimal traffic obstruction
- Reduced soil compaction due to less operating cycles.





# LOW-MAINTENANCE AND ECONOMICAL



**Multiple operations,** easy to maintain and long-lasting components guarantee high profitability and are the brand character of Mecalac swing loaders:

- Many operations are possible without stabilisers even in confined spaces such as pallet lifting, excavating and materials handling
- Extensive range of attachments for almost every application
- Western European technical components
- Optimal access to all service points
- Long maintenance intervals and low maintenance costs
- The chain operated swing function has no maintenance or wear for the life of the machine. Free-play is taken up automatically.





SWING LOADER  
**AS 150e**

# TECHNICAL DATA

Operation weight: 10,920 kg  
 Engine power: 100 kW (136 hp)  
 Bucket capacity: 1.5 – 2.4 m<sup>3</sup>



## Engine

Water-cooled Deutz turbo diesel engine with intercooler, 4 cylinders (emissions according to EU 97/68), 4-stroke, direct fuel injection

Net power at 2300 min<sup>-1</sup>  
 acc. to ISO 14396 (136 hp) 100 kW  
 Max. torque at 1500 min<sup>-1</sup>  
 acc. to ISO 14396 520 Nm  
 spec. fuel consumption at  
 max. torque: 225 g/kWh

Air intake filter: 2 level dry-air filter with safety cartridge

Electrical system:  
 Operating voltage: 24 Volt  
 Battery capacity: 2 x 88 Ah  
 Alternator rating: 55 A 1540 Watt  
 Starter rating: (4.0 hp) 3.0 kW

## Drive

Hydrostatic drive with automotive control, 3 stages, stage I and II with maximum torque, multifunctional lever (joystick) for drive and working hydraulics control

Axles: planetary axles with four-wheel steering for maximum flexibility, oscillating rear axle

Differential lock: Automatic self-locking differential in front axle, locking factor 45 %

Wheels: tire size: 17,5-25  
 optionally: 17,5-R25  
 optionally: 550/65 R25

Speeds: road gear: 0-20 km/h  
 (optionally 0-40 km/h)  
 field gear: 0-12.5 km/h

Oscillation: max. oscillation angle +/- 10°

## Brakes

Operating brakes:  
 1. hydraulically operated wet lamella brake in front and rear axle, acting on all 4 wheels  
 2. hydrostatic inching brake, acting on all 4 wheels

Parking brake:  
 Spring-loaded wet lamella brake in rear axle, acting on all 4 wheels

## Steering

Hydrostatic four-wheel steering, can be switched to rear axle steering  
 max. steering angle +/- 35°  
 Turning radius measured over rear end R = 4,350 mm

- Low maintenance bushings and bearings in the shovel arm
- Comfortable driver's cab with ROPS safety system
- Joystick controls
- Servo-assisted working hydraulics
- High-performance, power-controlled hydrostatic four-wheel drive

## Hydraulic system

Dual-circuit system with gear pumps

1. Working hydraulics circuit (lift/lower, tilt, accessories), and steering (via priority valve); four-fold control valve with primary and secondary protection; with servo-controlled joystick operation  
 Max. operating pressure at 2300 min<sup>-1</sup>: 87 l/min and 230 bar, max. oil flow for auxiliary hydraulics: 125 l/min.

2. Circuit (swivelling) single control valve with primary and secondary protection, high pressure bypass line to working hydraulics  
 Max. operating pressure at 2300 min<sup>-1</sup>: 38 l/min and 210 bar

Float position for lifting cylinders

Cylinders: 2 lifting cylinders 100 ø  
 2 tilting cylinders 90 ø  
 2 swing cylinders 100 ø

Cycle-times: Lifting (under load) 5.6 s  
 Lowering (w/o load) 3.0 s  
 Dumping (90°) 1.5 s  
 Tilting (45°) 1.0 s  
 Swivelling (90°) 7.0 s

## Performance data

Digging depth with standard bucket: 110 mm

Bucket position: Tilting angle 45°  
 Dumping angle, top 53°  
 Max. dumping angle 100°

Lifting force: 6,900 daN  
 Breakout force: 8,000 daN  
 Thrust force: 9,000 daN

**Tipping load:**  
 Standard bucket, max. turned, straight 6,000 kg  
 Standard bucket, max. turned, 90°-swivelled 6,010 kg

**Payload:**  
 on forks, max. turned, frontal, even terrain 4,125 kg  
 on forks, max. turned, max. swivelled, even terrain 3,945 kg  
 on forks, max. turned, frontal, even terrain\* 4,560 kg

\* Tipping load according to ISO 14397, payload according to EN 474-3  
 \* Transport position 300 mm above ground

## Chassis

Rigid single-component chassis for maximum stability especially with swivelled bucket attachment. Quality steel construction, robot welded. Sealed articulated/oscillated pivot for long lifetime. Swivelling cylinders integrated in the frame ensure constant swivel speed and torque with integrated final cylinder cushioning. Milled seatings for axles and rotating assembly. Double-Z-Kinematics allow exact parallel adjustment, optimized for use with pallet fork. Low maintenance shovel arm and maintenance-free bushings and bearings. Operator's cab with flexible four-point mountings for maximum driver comfort and minimum noise levels. Smooth power-assisted and accurate joystick controls.

- Four-wheel steering
- Planetary axles with self locking differential in front axle
- Low-maintenance wet lamella brakes in front and rear axle
- Double-Z-Kinematics with precise parallel lifting
- Electro-hydraulic quick-coupler
- Wide range of attachments

## Filling capacities

Engine with filter	approx.	10.0 l
Fuel tank	approx.	170.0 l
Front axle	approx.	21.0 l
Rear axle	approx.	18.5 l
Hydraulic system with tank	approx.	160.0 l
Distributor gear	approx.	6.0 l

## Standard features

Comfortable operator's cab with ROPS safety feature and 2 lockable doors for access from both sides, doors open through 180° with safety restraint on machine, tinted windows, electrical wipers front and rear, front and rear screen washers, rear window heater, 2 external rear-view mirrors, adjustable steering column and multi-functional lever (joystick), pilot-controlled joystick-operation, multiply adjustable driver's seat, adjusts to driver's weight, hydraulic suspension, safety belt, sun-blind, heater and fresh air system with external filter, roof window, interior lighting, glove-boxes, intuitive modular cockpit with symbolic display components and monitoring LEDs, 24v power outlet, 2 driving lights at cab roof, 2 working lights mounted on frame of bucket arm, 2 working lights mounted at back of cab roof, reversing lights, indicators, rear and brake lights, low-maintenance shovel arm, electrically locking hydraulically operated quick-coupler, final position cushioning of the lift cylinders, towing coupling, fastening points, auxiliary hydraulics 1st and 2nd circuit. Color scheme: yellow, operator's cab, axles and wheels grey

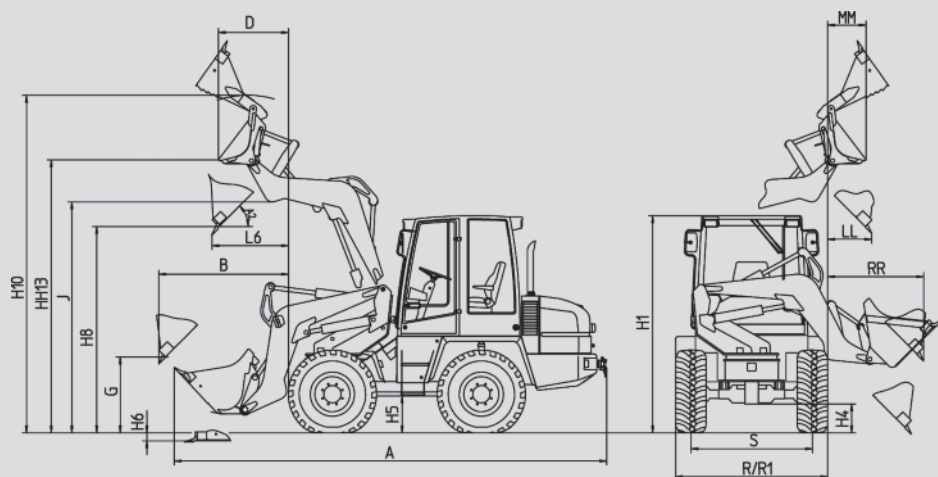
## Optional equipment

40 km/h version, special tires, 360° warning light, internal rear-view mirror, reverse warning system, FOPS protecting roof, bucket protection compliant to road-safety standards, pipe-burst protection system, boom suspension, bio-degradable oil fill for hydraulic system, radio, pressureless return line, air-conditioning system, transponder anti-theft system, towing device, road safety kit, air-cushioned driver's seat, various attachments possible such as pallet fork, load hook, excavator, grab, hydraulic breaker etc.

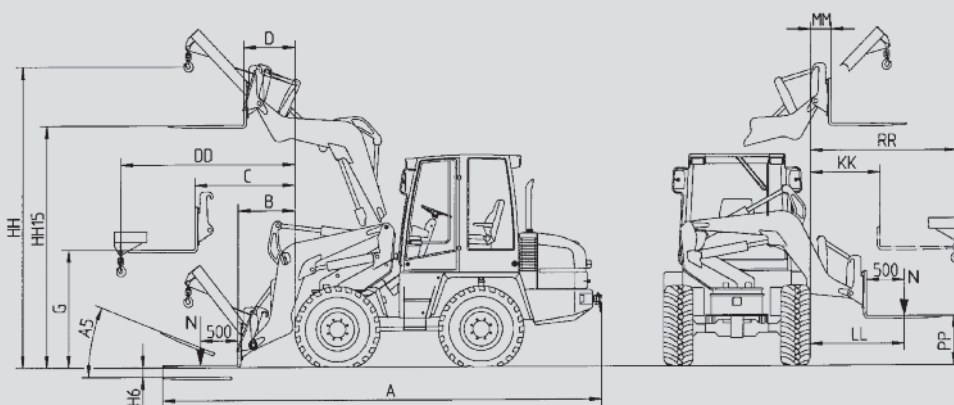
## Weight

Machine with quick-coupler and 1.5 m <sup>3</sup> standard bucket with teeth	10,920 kg
permissible axle load front	7,000 kg
permissible axle load rear	7,500 kg

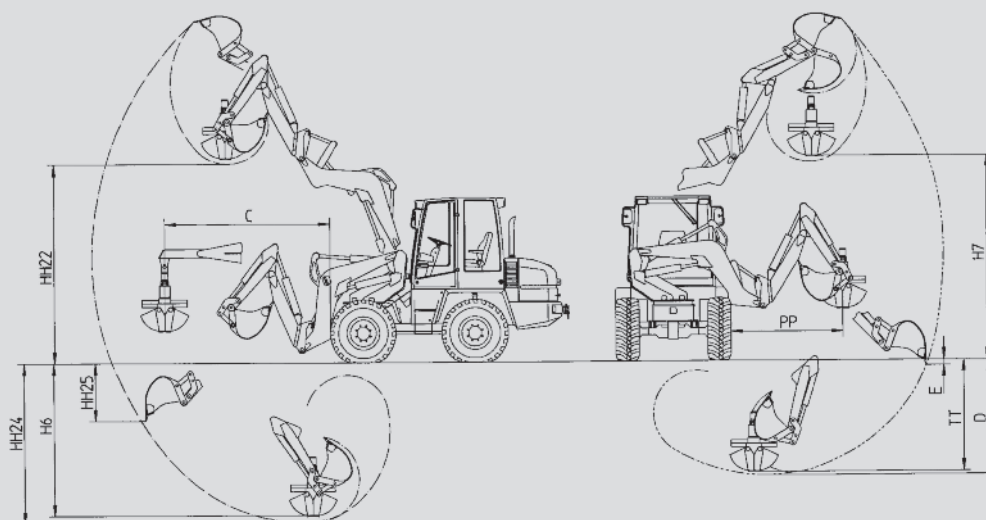
## Measurements



Buckets		
Standard	1.5 m <sup>3</sup>	4 x 1 1.3 m <sup>3</sup>
A	6580	6570
A2	53°	53°
B	1915	1995
D		790
G	1100	1035
H1	3100	3100
H4	440	440
H5	500	500
H6	110	110
H8	3100	3010
H10	4975	4950
HH13		3910
J	3390	3390
L6	1070	1140
LL	550	610
MM		370
RR	1495	1555
S	1980	1980
R	2480	2480
R1	2460	2460



Load hook		Forks
A	6515	7015
A5		25°
B		940
C		1535
D		680
DD	3255	
G		1750
H6		60
HH	5145	
HH15		3735
KK		1110
LL		1415
MM		305
PP		780
RR	2845	



Excavator		Grab
C		3310
D	2090	
E	100	
H6		3170
H7		4230
HH22	2920	
HH24	2890	
HH25	1170	
PP		2070
TT		2210

All data based on standard tyres.

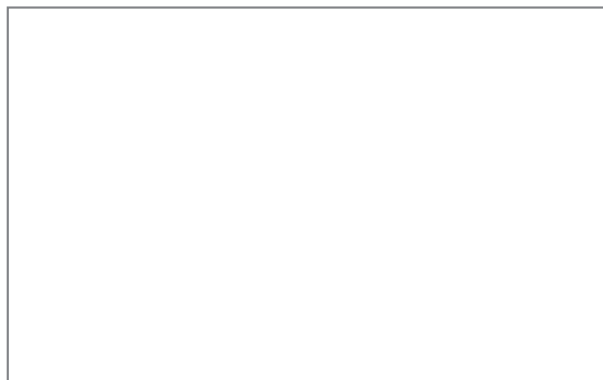
Technical data are non-committal and are subject to constructional modifications!



For decades we develop and produce high quality and innovative wheel loaders in Büdelsdorf in northern Germany. With our articulated loaders, four-wheel steered front loaders and four-wheel steered swing loaders, we are the world's only manufacturer to offer all steering concepts. Our four-wheel-steered swing loaders stand as the world's technologically most innovative wheel loaders.



Your Local Dealer



# Mecalac

MECALAC BAUMASCHINEN GMBH · Am Friedrichsbrunnen 2 · D-24782 Büdelsdorf  
Phone +49 (0) 43 31/3 51-319 · Fax +49 (0) 43 31/3 51-470 · [info@mecalac.de](mailto:info@mecalac.de) · [www.mecalac.com](http://www.mecalac.com)  
A COMPANY OF GROUPE MECALAC S.A.