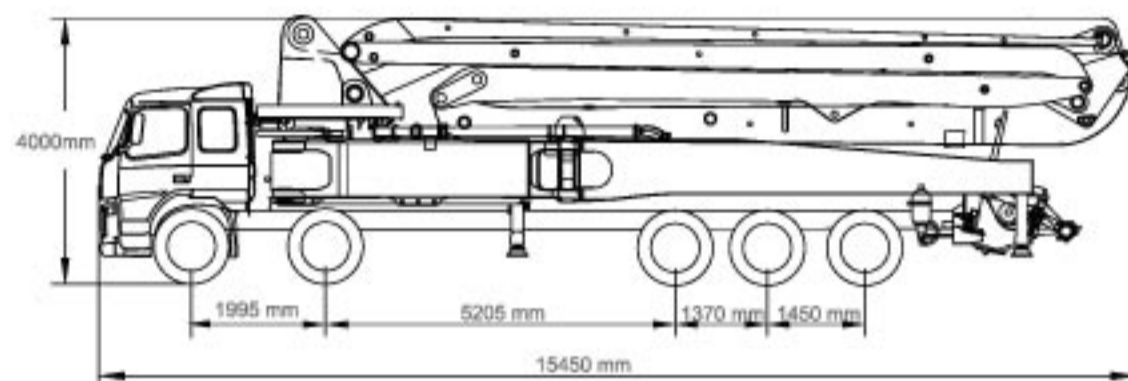


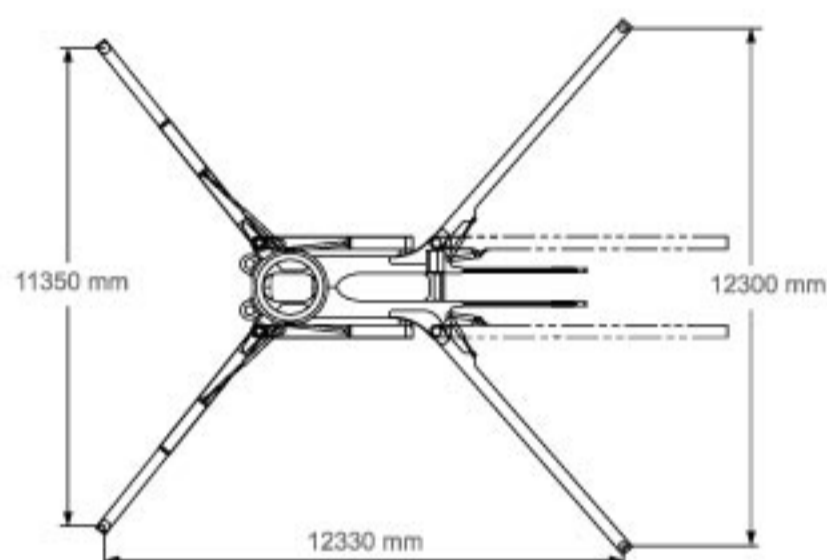
TECHNICAL SPECIFICATIONS

| Overall Specification | Model | SYG5502THB 58 |
|-----------------------|-------|---------------|
| Length | | 15450 mm |
| Width | | 2500 mm |
| Height | | 4000 mm |
| Total weight | | 50360 kg |

Note: The overall specifications are based on Chassis VOLVO FM440 10x4.
 Dimensions will vary with different truck makes, models and specifications.
 Weights are approximate and include pump, boom, truck, full hydraulic oil, driver and some fuel.
 Varies with options selected.



| Boom & Outrigger Specification | | |
|--------------------------------|--------|----------|
| Vertical reach | | 58.0 m |
| Horizontal reach | | 53.6 m |
| Reach depth | | 38.0 m |
| Minimum unfolding reach | | 15.8 m |
| Arm1 | Length | 12140 mm |
| | Angle | 90° |
| Arm2 | Length | 10090 mm |
| | Angle | 180° |
| Arm3 | Length | 9570 mm |
| | Angle | 180° |
| Arm4 | Length | 10920 mm |
| | Angle | 230° |
| Arm5 | Length | 11170 mm |
| | Angle | 200° |
| Slewing circle | | ±360° |
| Outrigger spread L-R (front) | | 11350 mm |
| Outrigger spread L-R (rear) | | 12300 mm |
| Outrigger spread width (LH) | | 12330 mm |
| Outrigger spread width (RH) | | 12330 mm |



| Pumping System Specification | | |
|-------------------------------|---------------|----------------|
| Output | Low pressure | 170 m³/h |
| | High pressure | 120 m³/h |
| Pressure | Low pressure | 8.3 MPa |
| | High pressure | 12 MPa |
| Max. strokes | Low pressure | 24.5 times/min |
| | High pressure | 17 times/min |
| Delivery cylinder diameter | | 260 mm |
| Delivery cylinder stroke | | 2200 mm |
| Hydraulic system | | Open loop |
| Hydraulic system oil pressure | | max 320 bar |
| Oil tank capacity | | 650 L |
| Water tank capacity | | 600 L |
| Pipeline size | | 125 mm |
| End hose length | | 3 m |
| End hose diameter | | 125 mm |

