

COMPACT TRACK LOADER



Specifications

Operating Weight:	11975 lbs (5432 kg)
Tipping Load:	8000 lbs (3629 kg)
Ground Pressure:	4.5 psi (31 kPa)
Gross Engine Power:	99.9 hp (74.5 kW)

Features

- ▶ Pilot-operated joystick controls
- ▶ Selectable ISO or "H" control pattern
- ▶ Adjustable loader speed and sensitivity
- ▶ Advanced undercarriage includes multi-level suspension for exceptional traction and operator comfort
- ▶ Two-speed hydrostatic drive system offers fast travel speed and high torque work speed.

WORKS FOR YOU.™

SPECIFICATIONS

OPERATING SPECIFICATIONS

Operating weight	11975 lbs (5432 kg)
Shipping weight	10645 lbs (4,828 kg)
Ground pressure @ operating weight	4.5 psi (31 kPa)
Tipping load	8000 lbs (3629 kg)
Operating capacity 50% tipping load	4000 lbs (1814 kg)
Operating capacity 35% tipping load	2800 lbs (1270 kg)
Travel speed low range	0-6 mph (9.7 kph)
Travel speed high range	0-10 mph (16 kph)

ENGINE

Type	Diesel 4-cylinder turbocharged liquid cooled
Model	Perkins 1104D-44T
Displacement	268 in ³ (4.4 L)
Gross power rating @ 2200 rpm	99.9 hp (74.5 kW)
Torque peak	310 ft-lb (420 Nm)
Cooling system	Electronic reversing fan and coolant/anti-freeze-filled radiator
Engine block heater	Standard AC plug-in type
Intake air cleaner	Dual stage
Emission controls	Meets all U.S. EPA Tier 3 standards

UNDERCARRIAGE

Track Type: General purpose track constructed of rubber compound with embedded co-polymer cords and all-purpose treads. Three rows of track drive lugs molded in.	
Track width	20 in (508 mm)
Length of track on ground	71 in (1803 mm)
Ground contact area	2840 in ² (1.83 m ²)
Drive system	Two-speed radial piston motors connected to planetary reduction final drives.
Track drive sprocket	Elevated with low friction replaceable sprocket rollers.
Undercarriage suspension: Two independent torsion axles suspend each track frame plus four independent wheel carriages (4 wheels each) per track.	
Roller Wheels: 24 high-density polyurethane and rubber wheels per track. Wheel bearings protected by metal-faced seals.	
Roller wheel diameter	Front & rear wheels - 15 in (381 mm) Middle wheels - 10 in (254 mm)

SERVICE CAPACITIES

Fuel tank	30 gal (114 L)
Hydraulic tank	22 gal (86 L)
Engine coolant/antifreeze	4.3 gal (12 L)
Engine oil including filter	9 quarts (8.5 L)



AUXILIARY HYDRAULIC SYSTEM

Pump capacity: Low - Variable from 0-20 gpm (76 lpm). High - 45 gpm (170 lpm) adjustable from 30-45 gpm (114-170 lpm)		
System Pressure, Max.		
Low Flow		3,300 psi (22 753 kPa)
High Flow		3,800 psi (25 166 kPa)
Controls: Intermittent via joystick button or continuous via console switch, mode selectable via dash-mounted switch.		
Couplers: Push-to-connect quick couplers mounted on loader arms. Pressure relief valve mounted to coupler block.		
Cooling system: High efficiency side-by-side radiator and oil cooler		

ELECTRICAL SYSTEM

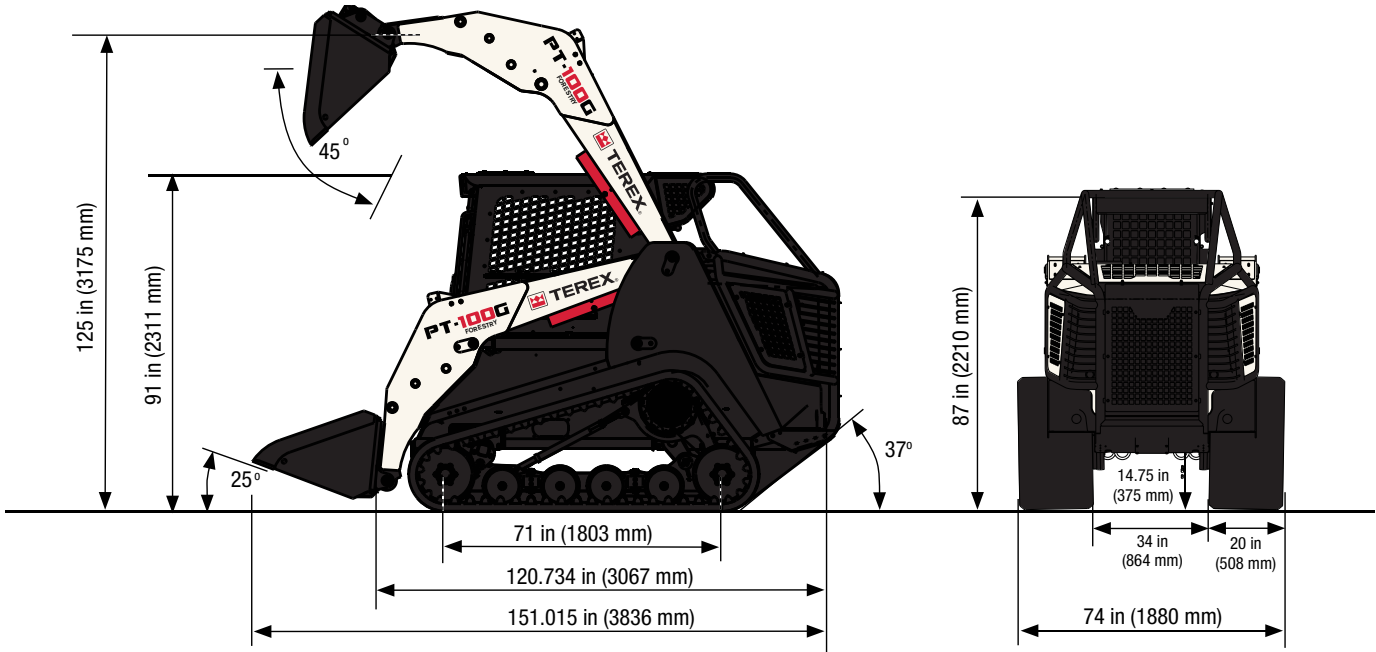
Nominal charge	12 V
Battery	950 CCA
Charging system	120 amp alternator
Outlets	1-12 V port inside operator station
Wiring	Pre-wired for all factory-available accessories

OPERATOR STATION

Cab: Sealed and pressurized cab.		
Seat: Adjustable suspension contour vinyl seat with built-in operator presence switch, lap bar and 2-inch (51 mm) wide seat belt.		
Loader control: Right-hand electric over hydraulic controls loader lift/lower and tilt, plus intermittent control of auxiliary hydraulic.		
Drive control: Left-hand pilot electric over hydraulic controls machine speed and direction. Selectable control pattern from ISO to H.		
Engine speed		Foot pedal
Indicators/gauges	Fuel Level Tachometer Hour Meter Coolant Temp. Gauge Oil Temp. Gauge	Oil Temp. Warning Light Engine Oil Pressure Gauge Engine Oil Pressure Warning Battery Low Voltage Indicator Two-Speed Indicator
ROPS	Meets SAE J1040 APR88, ISO 3471:2008 and ISO 8082-1:2009	
FOPS	Meets ISO 3449:2005 Level 2, ISO 8083:2006 BC WCB G608	
Illumination	2 - Fixed forward-facing halogen lights 2 - Rear-facing halogen lights 1 - Interior light	
Convenience	12 V power port	

PT-100G FORESTRY

DIMENSIONS: GENERAL PURPOSE BUCKET



OPTIONAL ATTACHMENTS

Auger & bits	Bucket, multi-purpose	Pallet forks	Trencher
Backhoe	Brush cutter, rotary	Power box rake	Vibratory roller
Broom, rotary	Dozer blade	Snow blade	
Bucket, general purpose	Land Leveler	Snow blower	
Bucket, light material	Mulching head	Stump grinder	

WORKS FOR YOU.™

www.terex.com

Effective Date: January 2011. Product specifications and prices are subject to change without notice or obligation. The photographs and/or drawings in this document are for illustrative purposes only. Refer to the appropriate Operator's Manual for instructions on the proper use of this equipment. Failure to follow the appropriate Operator's Manual when using our equipment or to otherwise act irresponsibly may result in serious injury or death. The only warranty applicable to our equipment is the standard written warranty applicable to the particular product and sale and Terex makes no other warranty, express or implied. Products and services listed may be trademarks, service marks, or trade names of Terex Corporation and/or its subsidiaries in the USA and other countries. All rights are reserved. Terex is a registered trademark of Terex Corporation in the USA and many other countries. © 2011 Terex Corporation.

Terex Construction 8800 Rostin Road, Southaven, MS 38671 USA
Tel +1 (888) 90-TEREX www.terex.com



WORKS FOR YOU.™

PT1006 Forestry 0111 PN 280110