

VOLVO WHEELED PAVERS

ABG 5770, ABG 5870 ABG 6870



MORE CARE. BUILT IN.



THE MOST ADVANCED WHEELED PAVER ON THE MARKET.

Superior productivity, excellent paving quality and reliability are indispensable for the success of your business. That is why we stressed these points when we were developing the ABG 5770, ABG 5870 and ABG 6870 Wheeled Pavers.

Special Features

The new Volvo Wheeled Pavers stand out from the rest due to their high tractive power, maneuverability, high speed and flexible paving widths of 2.50 m to 9.0 m. Our wheeled pavers are the perfect solution for use on every jobsite – whether on expressways, serpentine mountain roads or in tight areas.

Smart Drive Technology

Our **Smart Drive** technology offers unparalleled traction, even on the most difficult bases, so that you can get the full power out of our wheeled pavers.

Powerful Diesel Engine

With an engine output of 122 kW, our wheeled pavers offer tremendous power for every situation, even at maximum paving width and under the heaviest loads.

Smart Power Mode

The high output capacity of the diesel engine is normally only used in part. In such cases, the driver can select the **Smart Power** mode on the EPM control unit to work especially economically.

Next Generation EPM Technology

The EPM control unit is the control center of the paver. No other system on the market offers such intuitive operation, high comfort and extensive options for storing and analyzing machine data.

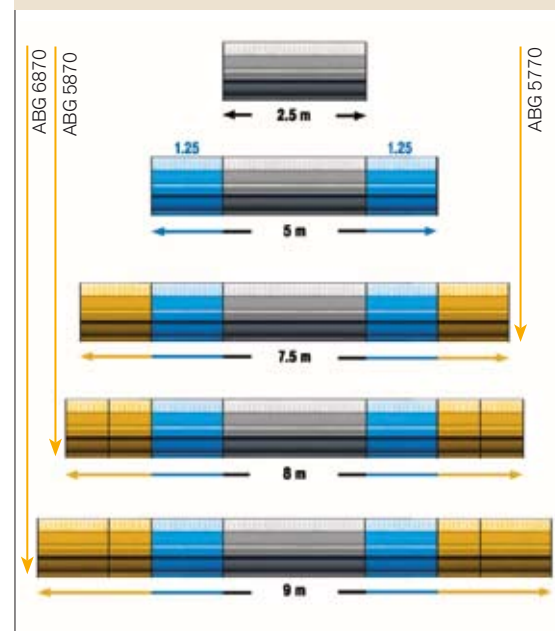
Excellent Operating Comfort

The operator can adjust the controls to the position he finds most comfortable. Thanks to the backlit display, buttons are perfectly visible even in the dark. A clear view of the paver's path and into the auger channel and hopper offer the best conditions for excellent paving results. Conversion times for transporting the paver on a low-bed trailer are kept to a minimum.

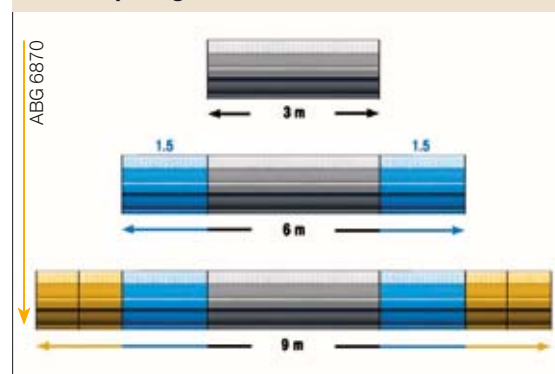
Agile and Manoeuvrable

The **Active Steering** feature makes maneuvering very easy. Thanks to the smallest inside turning radius in their class (2.5 m), these pavers can overcome obstacles in one go that other machines could only overcome after several complicated manoeuvres.

Max. paving widths with VB 78 Screed



Max. paving widths with VB 88 screed



Agile and manoeuvrable





EXCEPTIONAL ERGONOMICS AND OUTSTANDING VISIBILITY

No other paver offers such a variety of settings for driver comfort.

Just What the Operator Needs: Excellent Operating Comfort

With the new generation of Volvo wheeled pavers, the operator can set the operating controls to fit his personal preferences like never before.

The steering wheel, which allows for particularly sensitive control of the machine, can be placed in various positions around the control panel. The large screen display provides comprehensive information about all actions and operating status. It can be positioned on either the left or right hand side of the main control panel and can be tilted as well. Just what the operator needs. Needless to say, the entire control unit can be moved across the operator's station.

In addition, when the operator slides the seat out sideways, the all-weather roof extends with the seat to protect the operator from sun and rain.

Next Generation EPM Technology

Our intuitively operating EPM control panel is the only one of its kind on the market. It offers a bird's eye view of the paver. This gives the operator an overview of all the important functions at a glance. The large color display is divided into groups that clearly summarize paving and engine data. With the EPM, the operator can store and retrieve paving functions.

The integrated drive lever activates and maintains the pre-selected paving speed. In transport or shunting mode the integrated drive lever proportionally controls the engine, travel speed and brakes as well as forward and reverse directions of travel.

The operating keys controlling the flow of paving material have a "touch and feel" feature so that the operator does not have to take his eyes off the hopper and auger channel while paving.

Paving in Twilight or at Night

At nightfall, or when paving in a tunnel the EPM control panel's backlit buttons allow the operator to control the paving process just as well as in broad daylight.

Superior View of Material Flow

The paver's seats are not only comfortable, they also offer the operator an excellent view of the flow of material in the hopper, the head of material in the auger channel and material laydown. If desired, the seats can slide out sideways beyond the paver's frame. The grating at the rear of the operator's station is designed with elongated slits, giving the operator a clear view of the head of material in the auger channel. Optionally, auger channel lighting is available, which can be very helpful when paving in the dark.





MACHINES DESIGNED WITH YOU IN MIND.

Our new generation of pavers impresses with their wealth of clever features. Whether it be the intuitively designed control panel, the cost reducing Smart Power paving mode, the exception tractive power or the extremely tight turning radius, the new Volvo Wheeled Pavers are the most innovative pavers on the market.

A Powerful Environmentally Friendly Engine

The 122 kW strong COM III certified diesel engine runs quietly and is environmentally friendly.

B All-wheel drive system

- ABG 5770**
 - rear wheels and both front wheels (**B1**) driven
- ABG 5870**
 - rear wheels and the rear pair of the front wheels (**B2**) driven
- ABG 6870**
 - rear wheels and all four front wheels (**B1 + B2**) driven

C Large Hopper

Folding side wings and (optional) front wing and apron plate assembly optimize the flow of material.



D Road Scrapers

The two road scrapers in front of the front wheels ensure a clear path. They can be raised or lowered quickly for transport or paving work.

E Additional Levelling Scales

Additional levelling scales left and right on the tow points let the operators on the screed know quickly whether the tow arms need to be adjusted.



F Superior View of Material Flow

The comfortable operators' seats are raised, offering an excellent view of the flow of material.

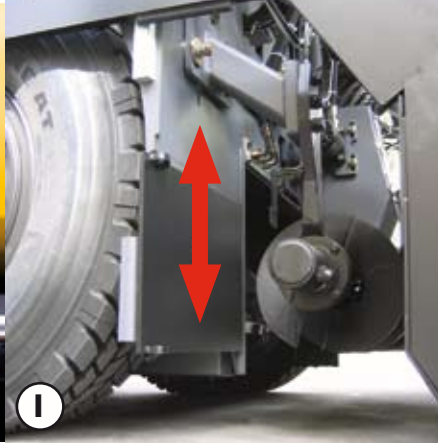
G Next Generation EPM Technology

The large, color EPM control unit is designed with self-explanatory control functions.





G



I



J

H Flexible All-Weather Roof

The roof can be extended out to the side to protect the operator from sun and rain. To make transport with a low-bed truck easy, the all-weather roof can be lowered hydraulically together with the exhaust pipe.

I The rear wall of the paver can be adjusted vertically with the auger to make it easy to drive up ramps.

J Foldable Walkway

The screed walkway can be raised to reduce the paver's transport length. Additionally, the machine can pave directly in front of a wall when the walkway is raised, thereby saving the paving team a great deal of manual labor.



H

G

F

A

VOLVO

20

B

I

J



H

HIGH TRACTION, HIGH PAVING RATE, EXCELLENT PAVING QUALITY

High traction means that you get all the power out of our pavers. That's why our wheeled pavers achieve an unsurpassed paving width of up to 9 m without sacrificing quality..

High Tractive Power for Perfect Paving

Smart Drive offers unparalleled traction, even on the most difficult bases. Our technology includes anti-slip control with load dependent torque control for front wheel drive, an electronic differential system on the rear wheels and hydraulic levelling of the front wheels.

Superior Auto-Leveling System

Front wheel drive with hydraulic levelling offers the ideal prerequisites for even paving. The independently suspended oscillating front wheels maintain uniform ground contact over the complete tire width, even on extremely uneven surfaces. These auto-leveling features keep the screed perfectly in position during operation, ensuring even paving results every time.

Three Operating Modes at the Push of a Button

Three operating modes provide the best conditions for every situation: paving mode, shunting mode and transport mode. In paving mode, the Smart Power button lowers engine speed, thereby saving fuel and lowering noise emissions. When the paver is stopped, the engine speed sinks to a minimum. When it restarts, it returns to the previously set value.

In the shunting and transport modes, the engine speed is likewise regulated to ensure fuel economy. When switching to shunting mode, the paving functions are automatically deactivated. When switching back to paving mode, they are reactivated.

Optimized Flow of Material

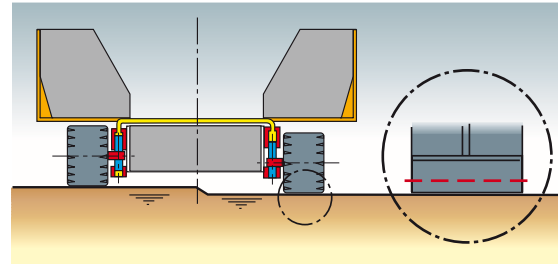
Dump truck tires roll easier due to our pavers' wide buffer rollers with a large diameter. The optional front hopper wings not only ensure that the hopper is completely emptied, they also prevent paving material from falling in front of the paver chassis, cooling prematurely and being run over.

Paving Screeds

The Vario Screeds VB 78 and VB 88 offer great flexibility with varying paving widths. Both can be extended hydraulically to two times basic paving width. This saves conversion time, just like the quick mount system for attachments and auger channel plates.

Easy Maintenance

When we designed our new wheeled pavers, we placed special emphasis on serviceability. Optimized access to the service points saves the contractor time and money. To take an example, all service points for the diesel engine are located behind one central service hatch on the operator's station. Additionally, the central lubrication (optional) reduces service time to a minimum.



SPECIFICATIONS

Model			ABG 5770	ABG 5870	ABG 6870
Engine (Diesel)	Make		Deutz		
	Model		TCD2013L04 2V		
	Output	kW/HP	122 / 166 @ 2000 1/min		
	Coolant		Liquid		
	Fuel tank capacity	l	235		
	Exhaust emission		COM IIIA /EPA Stage III		
Paving	Output (theor.) ¹	t/h	500	600	700
	Mat thickness (max.)	mm	300		
Speeds	Paving	m/min	40		
	Transport	km/h	20		
Propulsion	Drive units rear		2		
	Drive units front		2	2	4
Rear wheels	2 pneumatic tires	dimension	385/95R25		
Front steering wheels	elastic tires	No /Ø /width	2 x 580 mm /340 mm	4 x 580 mm /340 mm	4 x 580 mm /340 mm
Mix conveyor system	Hopper capacity	t	12		
	Conveyors		2		
	Conveyor speed	m/min	21.5		
Augers			2		
	Auger speed	1/min	90		
	Auger diameter	mm	360		
Electrics	Vehicle Voltage	Volt	24		
Transport dimensions	Width	mm	2 550		
	Length	mm	5 920		
	Height	mm	2 965		
Weights ²	Tractor unit	kg	12 800	13 500	13 500
Max. allowable gradeability ³	Tractor unit + screed	%	25		

¹ The actual paving output depends upon the mat thickness, the paving width and paving speed and will vary according to paving conditions prevailing on your jobsite. Please approach us and we will be pleased to assist you in calculating the paving output for your particular paving project.

² All weights are approx. weights without options. Weight of the tractor: tires filled with water, Diesel tank half-full and weather roof included.

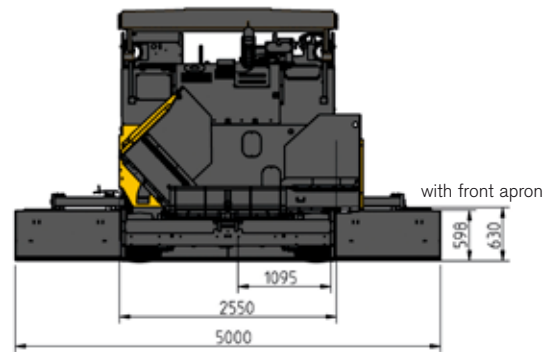
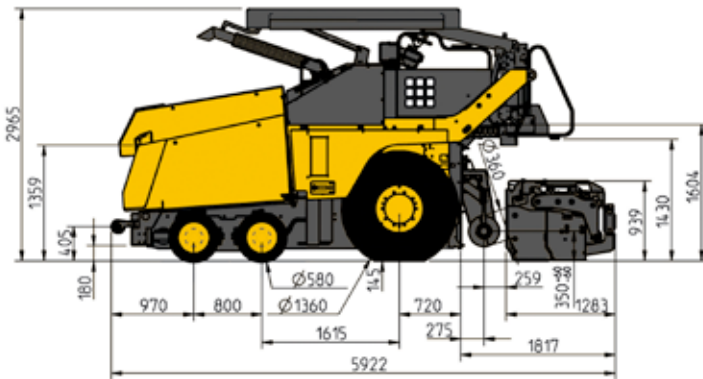
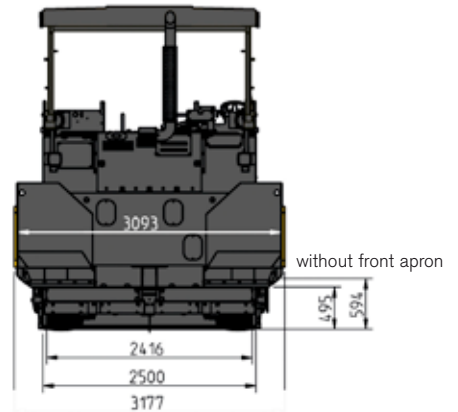
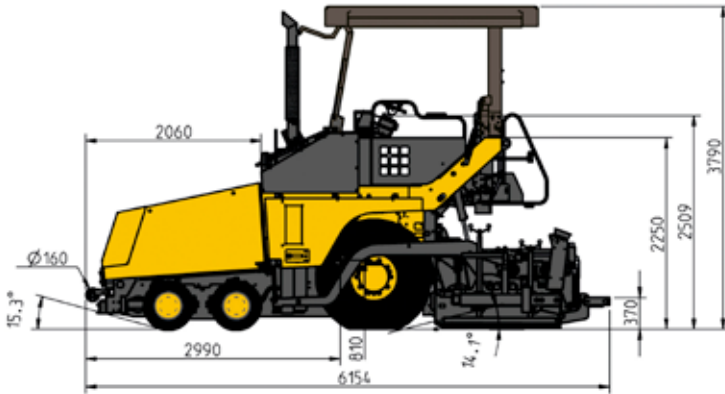
³ Applies to screed VB 78 2.5-5.0 m. When using extensions the max. allowable gradeability will be reduced.

Choice of screeds			ABG 5770	ABG 5870	ABG 6870
VB 78	Basic width / hydraulic adjusting range	m	2.50 - 5.00	2.50 - 5.00	2.50 - 5.00
	max. paving width with extensions	m	7.50	8.00	9.00
VB 88	Basic width / hydraulic adjusting range	m	-	-	3.00 - 6.00
	max. paving width with extensions	m	-	-	9.00

Screed operating weights	2.50 - 5.00 m (kg)	3.00 - 6.00 m (kg)	at 7.50 m (kg)	at 8.00 m (kg)	at 9.00 m (kg)
VB 78	3 620	-	5 740	5 940	6 710
VB 88	-	4 090	-	-	6 680

² All weights are approx. weights without options.

DIMENSIONS



ABG 5770



STANDARD FEATURES / OPTIONAL EQUIPMENT

Standard (S)	ABG 5770	ABG 5870	ABG 6870
Deutz Diesel engine TCD 2013L04 2V, output 122 kW, COM IIIA/EPA Tier III	S	S	S
Electronic Paver Management (EPM2) with Smart Power	S	S	S
Electronically controlled travel drive	S	S	S
Cross-sliding control unit with tiltable display unit and slewable steering wheel	S	S	S
Railings with seat console and light support unit	S	S	S
Two seats, laterally extendable	S	S	S
Two steerable front wheels with hydraulic ride levellers	S	-	-
Four steerable front wheels with hydraulic ride levellers	-	S	S
Two front wheels hydraulically driven	S	-	-
Rear pair of the front wheels hydraulically driven	-	S	-
Four front wheels hydraulically driven	-	-	S
Load-controlled torque of the front wheels drive	S	S	S
Engageable front wheel drive	S	S	S
Hydrostatic drive on rear wheels	S	S	S
Centre auger drive (paving widths up to 8.0 m)	S	S	S
Hydraulic auger height adjustment	S	S	S
Reversible direction of auger rotation	S	S	S
Auger speed control ON/OFF	S	S	S
Four individual hydrostatic drives for conveyors and augers	S	S	S
Screed lock	S	S	S
Central electric switch cabinet	S	S	S
Four working lights	S	S	S
Sound insulation	S	S	S
Anti-vandalism kit	S	S	S
Battery master switch	S	S	S
Two external control panels for the paving screed	S	S	S
Tool kit	S	S	S

Optional (O)			
GFK all-weather roof with manual-hydraulic folding device	O	O	O
All-weather roof with manual-hydraulic folding device	O	O	O
Front windscreen (only in conjunction with all-weather roof)	O	O	O
Tarpaulin for sides	O	O	O
Screed tensioning device	O	O	O
Screed assist	O	O	O
Hydraulic height adjustment of extendable screed	O	O	O
Individual operating hopper wings	O	O	O
Hydraulically operated front apron	O	O	O
Proportional control of conveyor belts	O	O	O
Reversible conveyor	O	O	O
Proportional USS auger control according to material requirements	O	O	O
Centre auger drive 9.0 m	-	O	O
Levelling systems (please see price list)	O	O	O
Adaption for high temperatures up to 55°C	O	O	O
Generator mounting set 9.0 m	-	O	O
Extractor for bituminous fumes	O	O	O
Particle filter (according to BIVAL directions)	O	O	O
Central lubrication	O	O	O
Xenon Floodlighting	O	O	O
Two additional lights (rear)	O	O	O
Road travel lighting	O	O	O
STVZO - German road worthiness inspection incl. equipment	-	O	O
Auger lighting	O	O	O
Driver's compartment lighting	O	O	O
Warning beacon for all-weather roof	O	O	O
Back-up alarm	O	O	O
Lateral emergency stop (left and right hand)	O	O	O
Additional sockets 230V	O	O	O
Pressure gauge for front-wheel drive	O	O	O
Emulsions spraying system incl. hose reel	O	O	O
Heavy-duty spray cleaning gun	O	O	O
Fuel transfer pump	O	O	O
Special paintwork (according to RAL colour code, excluding metallic paintwork)	O	O	O
Service kit	O	O	O
Biodegradable hydraulic oil	O	O	O

Partial listing of standard equipment and available options



Volvo Construction Equipment is different. It's designed, built and supported in a different way. That difference comes from an engineering heritage of over 175 years. A heritage of thinking first about the people who actually use the machines. About how to help them be safer, more comfortable, more productive. About the environment we all share. The result of that thinking is a growing range of machines and a global support network dedicated to helping you do more. People around the world are proud to use Volvo. And we're proud of what makes Volvo different – **More care. Built in.**



Not all products are available in all markets. Under our policy of continuous improvement, we reserve the right to change specifications and design without prior notice. The illustrations do not necessarily show the standard version of the machine.

VOLVO

Volvo Construction Equipment
www.volvo.com

Ref. No. VOE21A1004248
Printed in Sweden 2008-02-6,0
Volvo, Hameln

English
RM